



Features

- Durable finishes
- Brass valve bodies

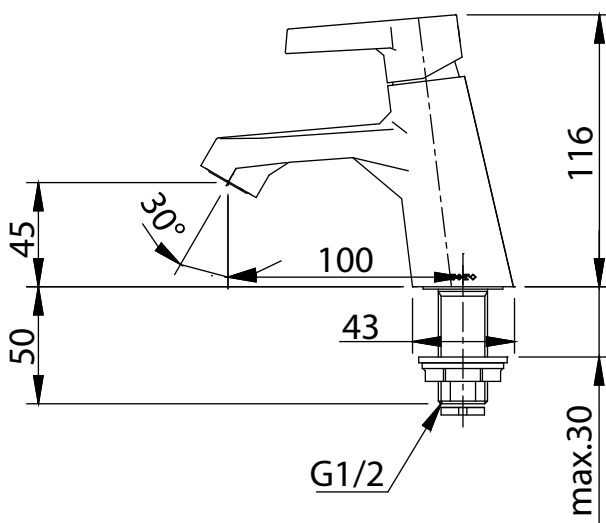
Specifications

Water Pressure	: 0.05MPa - 0.55MPa
Material	: Brass
Finish	: Nickel Chrome
Flow Rate	: 5 L / min

Parts description

TX109LPR

Single Lever Lavatory Faucet
without Pop-Up Waste (Cold Water)



Please consult a TOTO representative for details