

## Double Paper Holder

**YK63BK#NW1**



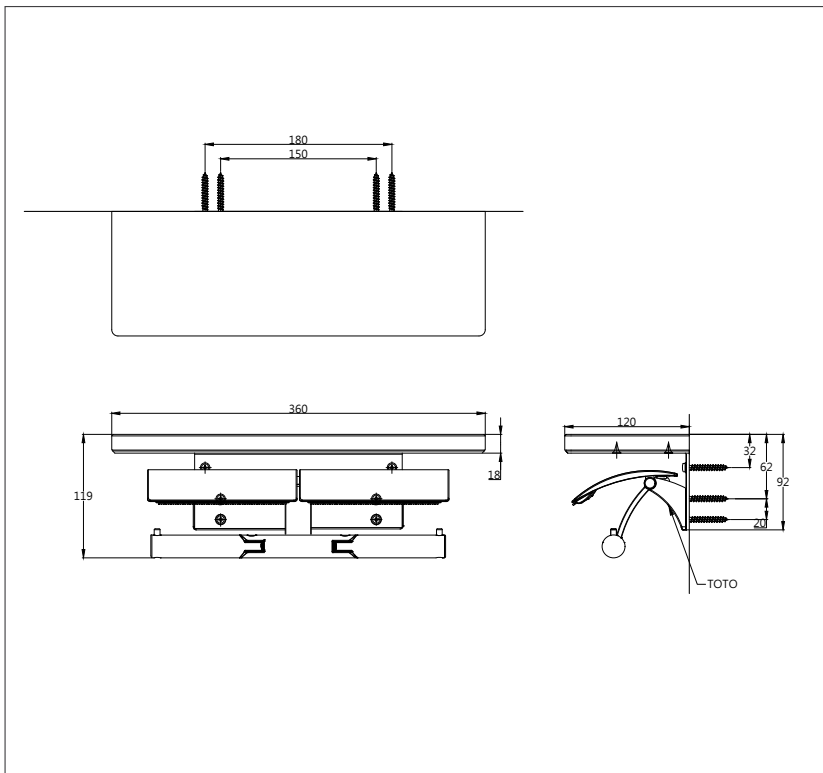
### Specifications

Size : 360W x 120D x 92H (mm)

### Parts Description

● **YK63BKM#NW1**

Double Paper Holder



*Please consult a TOTO representative for details*