



Features

- Dual Flush System
- Water Saving

Specifications

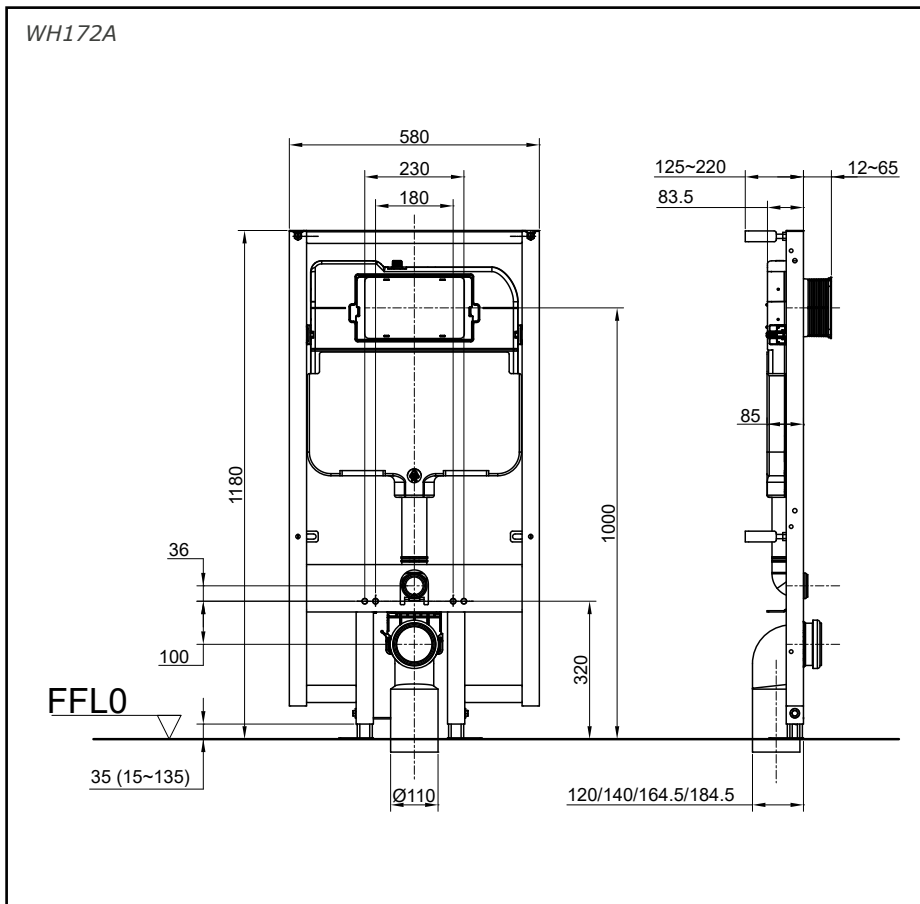
- Water Use : 4.8L / 3L
 Water Pressure : 0.05MPa~0.75MPa

Parts description

- **WH172A**
Concealed Tank (4.8L / 3L)

Optional Parts

- MB174P
Flush Panel
- MB170P
Flush Panel
- MB176G
Flush Panel



Please consult a TOTO representative for details