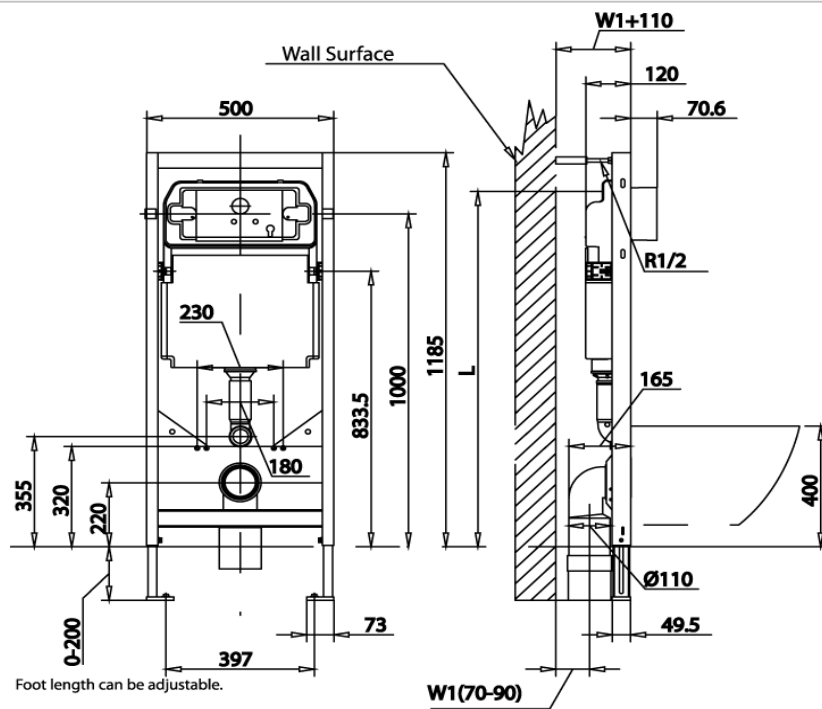


Concealed Tank



Product Features

Concealed Tank 6/3L (with Frame)



To the hole of cistern : L=1055 , To the top of cistern : L=1092.
 The length from the center of Drain pipe to the wall surface should be W1 (70 - 90).
 The height of Drain pipe from the ground surface : 10mm. In case CW762B is set.

Suggestion Fittings & Parts

Remark : We reserve the right to change some parts for suitability.