

Item number: **TX484SK COCKTAIL Series**



Features

- Modern styling to complement the COCKTAIL design suite
- Durable finishes

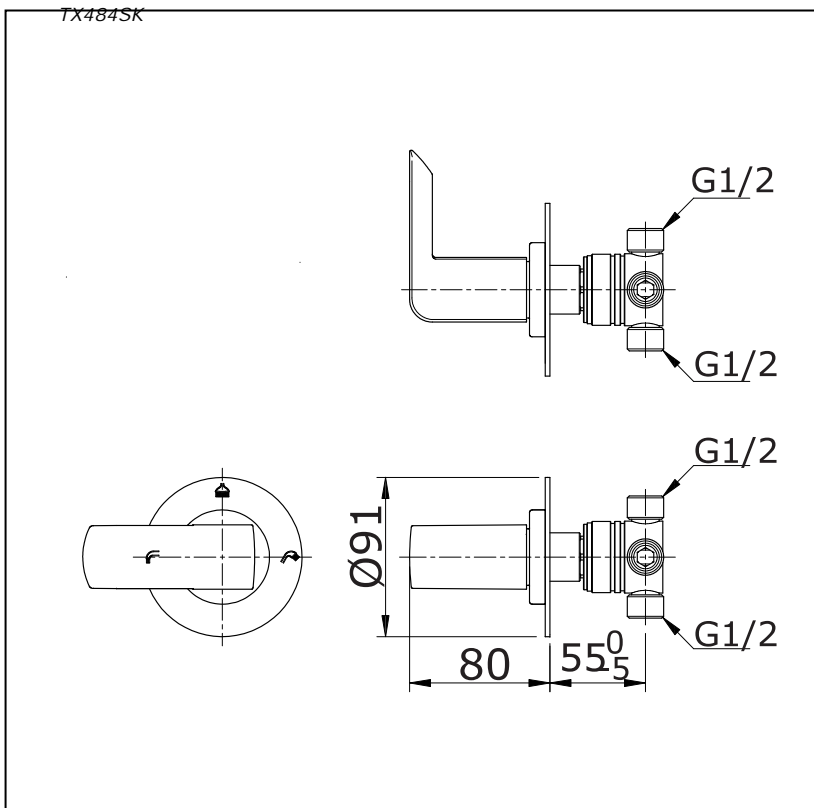
Specifications

Water Pressure : 0.05MPa - 0.75MPa
 Finish : Nickel Chrome
 Material : Brass
 Flow Rate/ : >12L/min @0.3MPa.
 Water usage

Parts description

- **TX484SK**
3 Way Diverter (1 in 3 out)

Drawing:



Remarks:

Please result TOTO sales representative for detail.