

Item number: **TX473SKV1** **COCKTAIL Series**



Features

- Modern styling to complement the COCKTAIL design suite
- Durable finishes

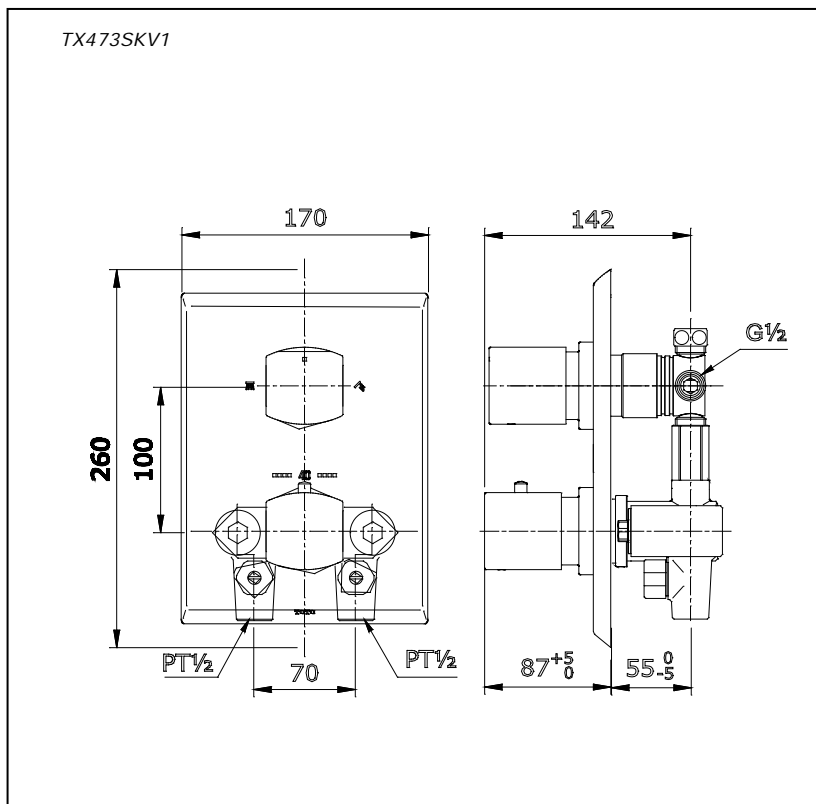
Specifications

Water Pressure : 0.05MPa - 0.75MPa
 Finish : Nickel Chrome
 Material : Brass
 Flow Rate/ : <9L/min @0.1MPa.
 (Fixed Shower side)
 Flow Rate/ : <8L/min @0.1MPa.
 (Hand Shower side)

Parts description

- **TX473SKV1**
 Termostat Fixed Shower Head
 And Hand Shower with Diverter
 and Stop Valve

Drawing:



Remarks:

Please result TOTO sales representative for detail.