

Item number: **TX469SK COCKTAIL Series**



Features

- Modern styling to complement the COCKTAIL design suite
- Durable finishes

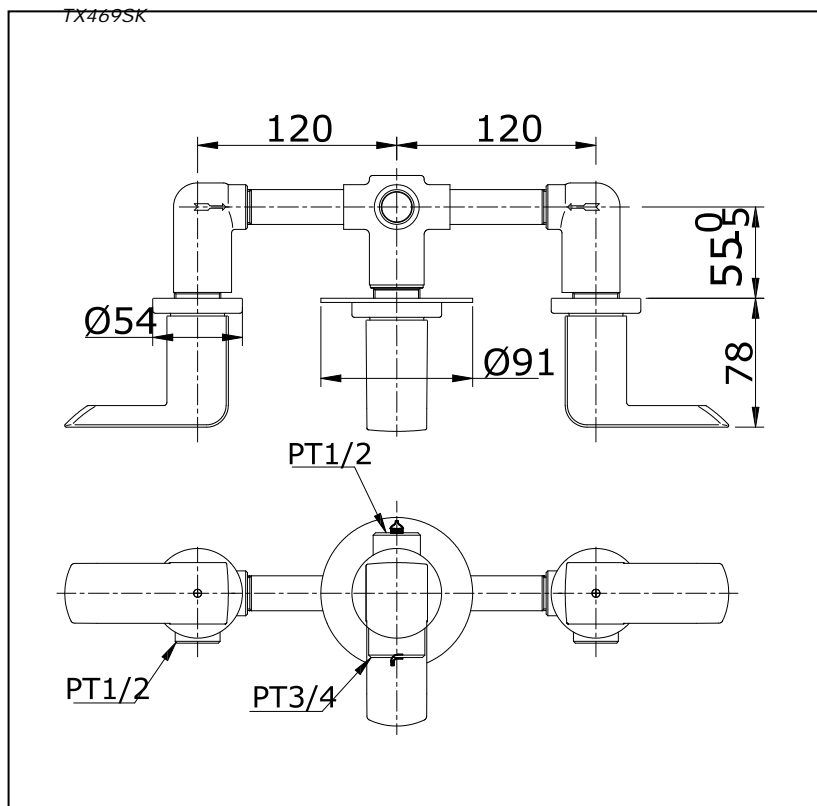
Specifications

Water Pressure : 0.05MPa - 0.75MPa
 Finish : Nickel Chrome
 Material : Brass
 Flow Rate/ (Bath side) : >9L/min @0.1MPa.
 Flow Rate/ (Fixed Shower side) : <9L/min @0.1MPa.

Parts description

- **TX469SK**
 Mixing Valve for Bath and Shower with Diverter

Drawing:



Remarks:

Please result TOTO sales representative for detail.