

Item number: **TX467SRR**

REI-R Series



Features

- Sharp-lined smart design exclusively for REI- Round series
- Durable finishes

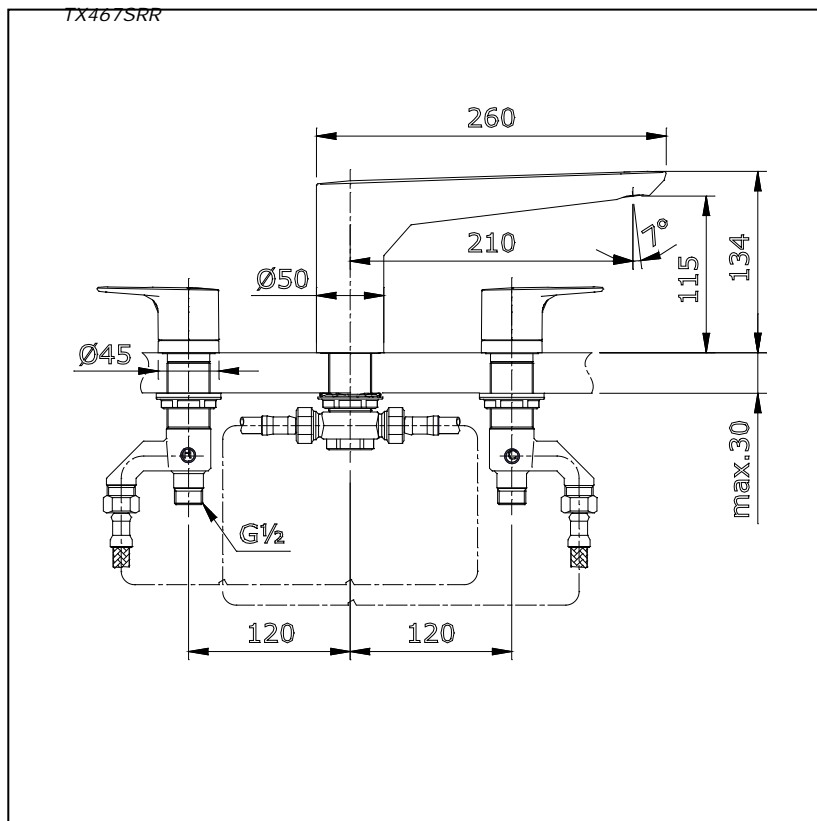
Specifications

Water Pressure : 0.05MPa -0.75MPa
 Hole : 3 Holes
 Finish : Nickel Chrome
 Material : Brass
 Flow Rate/ : >9L/min @0.1MPa.
 Water usage

Parts description

- **TX467SRR**
 Bath Filler and Mixer

Drawing:



Remarks:

Please result TOTO sales representative for detail.