

## Item number: TX467SK COCKTAIL Series



### Features

- Modern styling to complement the COCKTAIL design suite
- Durable finishes
- Brass valve bodies
- 1/4 turn washerless ceramic disk valve cartridge for drip free performance
- Pop-up drain

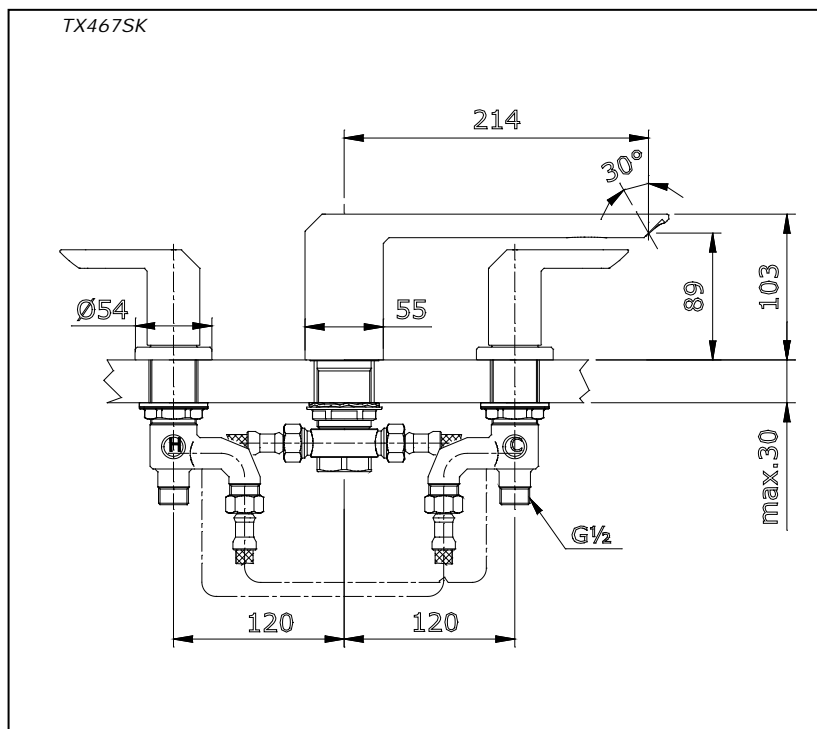
### Specifications

Water Pressure : 0.05MPa - 0.75MPa  
 Hole : 3 Holes  
 Finish : Nickel Chrome  
 Material : Brass  
 Flow Rate/ : <6L/min @0.1MPa.  
 Water usage

### Parts description

- TX467SK  
 Bath Filler and Mixer

### Drawing:



### Remarks:

Please result TOTO sales representative for detail.