

Item number: **TX453SK COCKTAIL Series**



Features

- Modern styling to complement the COCKTAIL design suite
- Durable finishes

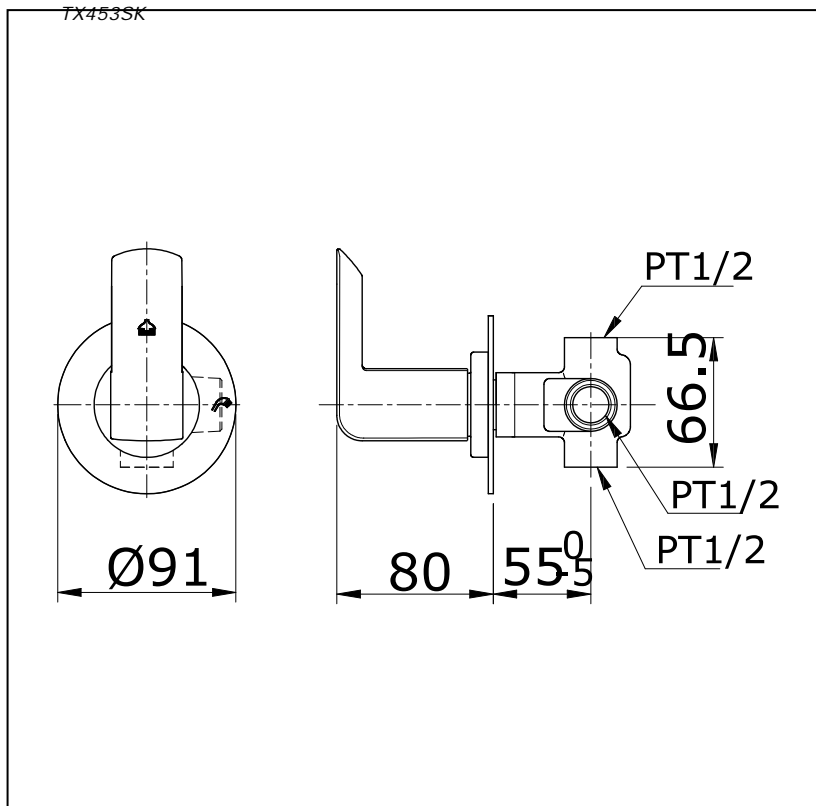
Specifications

Water Pressure : 0.05MPa - 0.75MPa
 Finish : Nickel Chrome
 Material : Brass
 Flow Rate/ Water usage : >12L/min @0.3MPa.

Parts description

- TX453SK
 2 Way Diverter (1 in 2 out)

Drawing:



Remarks:

Please consult TOTO sales representative for detail.