

Item number: **TX129L** **OTHER FAUCETS**



Features



Specifications

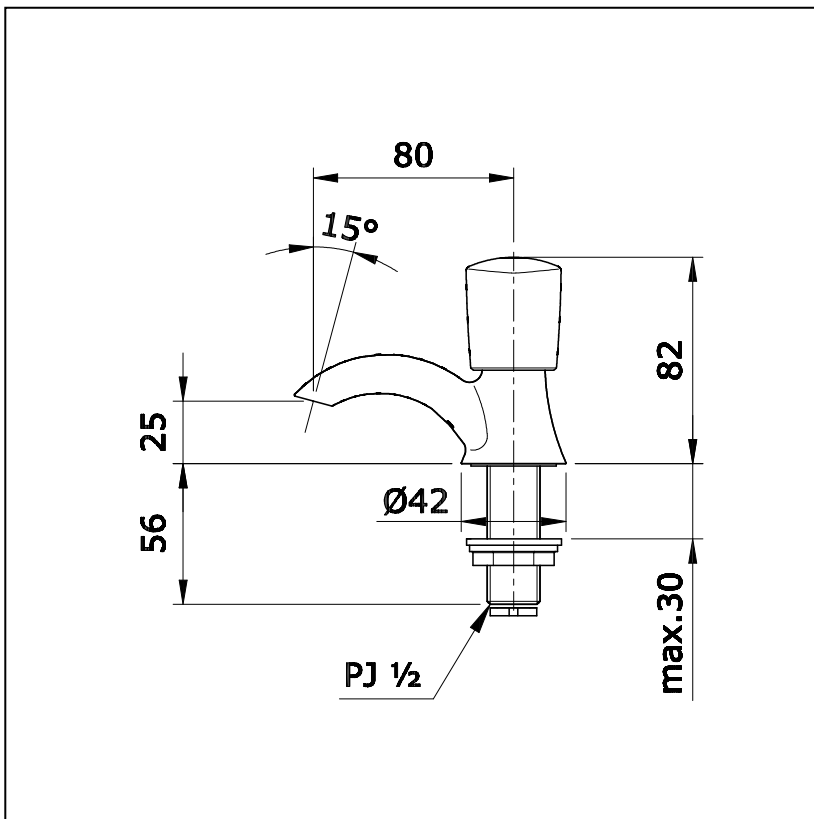
Water Pressure : 0.05MPa -0.75MPa
 Hole : 1 Hole
 Finish : Nickel Chrome
 Material : Brass
 Flow Rate/ : <6L/min @0.1MPa.
 Water usage

Parts description

- TX129L

Lavatory Faucet (Cold Water)

Drawing:



Remarks:

Please consult TOTO sales representative for detail.