

Item number: **TX116LKBR** **COCKTAIL Series**



Features

- Modern styling to complement the COCKTAIL design suite
- Durable finishes
- Brass valve bodies
- Ceramic disk valve cartridge for drip-free performance
- Pop-up drain

Specifications

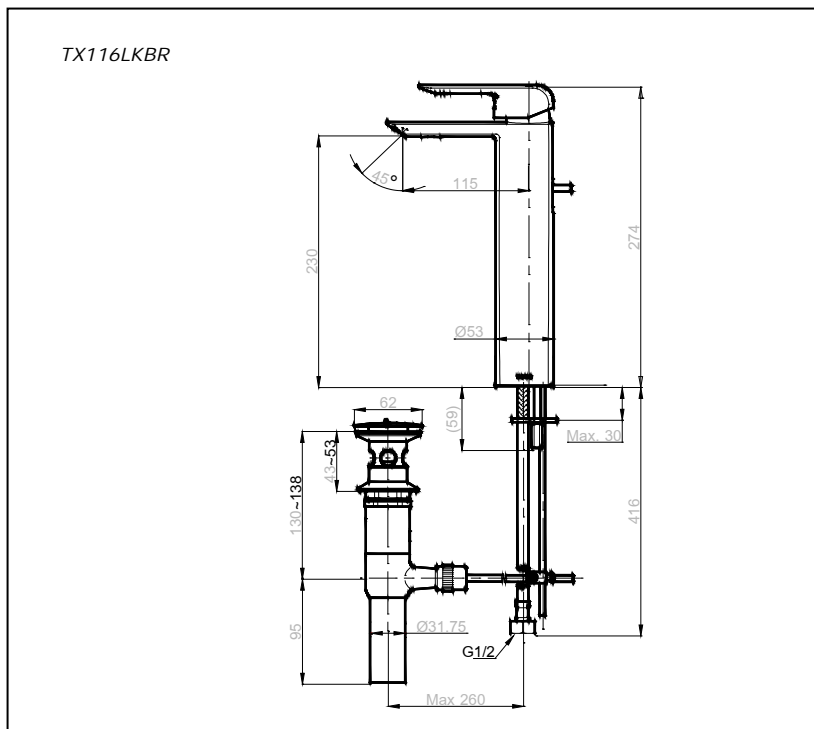
Water Pressure : 0.05MPa -0.75MPa
 Hole : 1 Hole
 Finish : Nickel Chrome
 Material : Brass
 Flow Rate/ : <6L/min @0.1MPa.
 Water usage

Parts description

- **TX116LKBR**

Extended Single Lever Lavatory Faucet with Pop-Up Waste

Drawing:



Remarks:

Please result TOTO sales representative for detail.