



Features

- Durable finishes
- Brass valve bodies

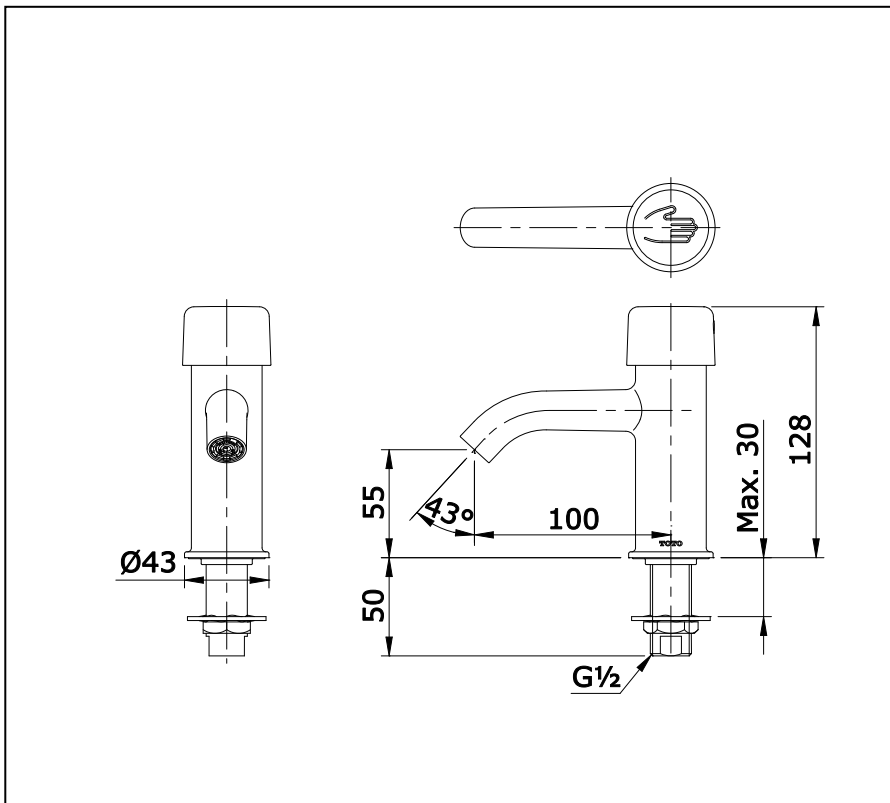
Specifications

Water Pressure	: 0.05MPa - 0.75MPa
Material	: Brass
Finish	: Chrome

Parts description

TX112MEB

Self-Closing Lavatory Faucet
(Cold Only)



Please consult a TOTO representative for details