

Item number: **TX108LI** **ICON Series**



Features

- Modern styling to complement the Icon design suite
- Durable finishes

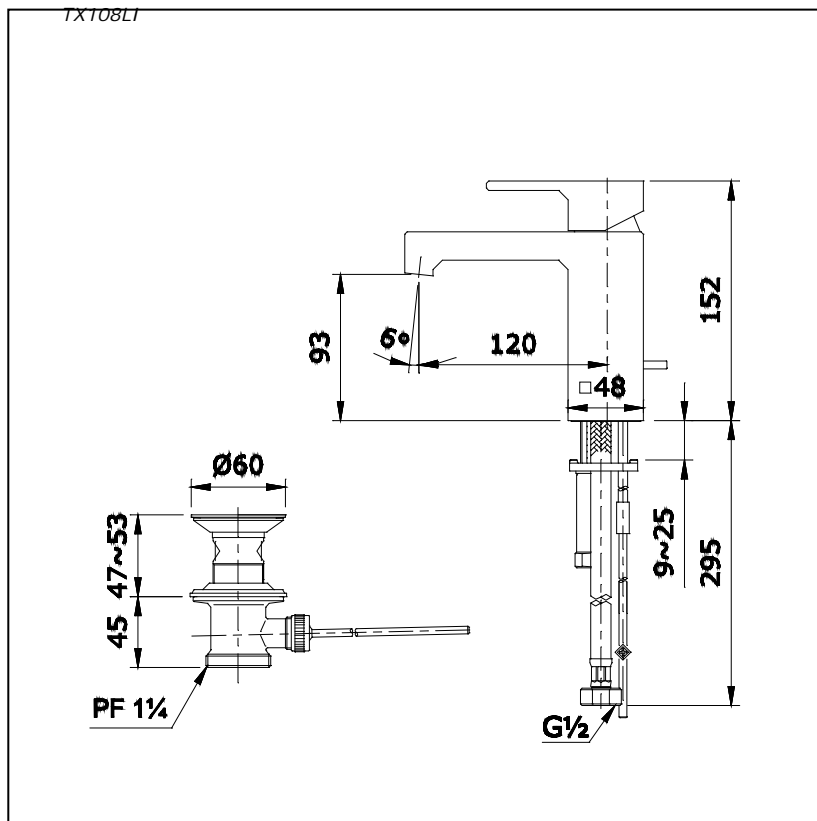
Specifications

Water Pressure : 0.05MPa - 0.75MPa
 Hole : 1 Hole
 Finish : Nickel Chrome
 Material : Brass
 Flow Rate/ : <6L/min @0.1MPa.
 Water usage

Parts description

- **TX108LI**
 Single Lever Lavatory Faucet
 with Pop-Up Waste

Drawing:



Remarks:

Please result TOTO sales representative for detail.