

## Item number: TTUE601DC2E SENSOR FLUSH VALVES



### Features

- Automatic flushing : hands-free and hygiene
- The sensor is encased in heavy-duty glass, to protect from vandalism
- Water saving

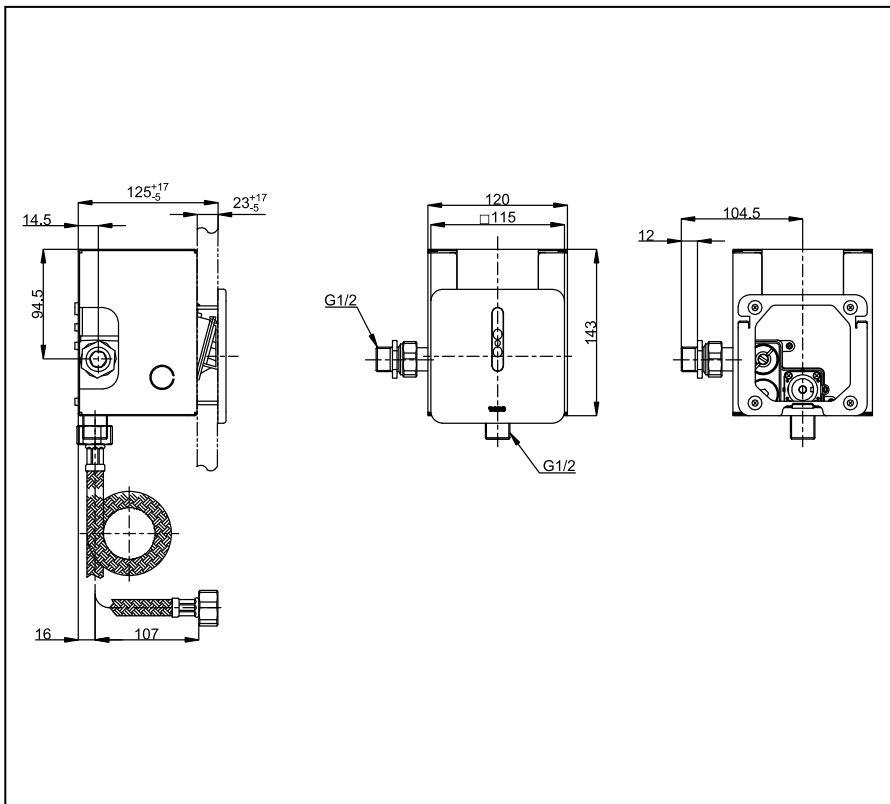
### Specifications

Water Pressure : 0.07MPa - 0.75MPa

Flush Volume : 0.5 L



### Drawing:



### Parts description

- **TTUE601DC2E**  
Concealed Urinal Sensor Flush Valve  
(Battery) for Back Inlet

### Remarks:

Please consult TOTO sales representative for detail.