

Item number: TTUE601AC1 SENSOR FLUSH VALVES



Features



Specifications

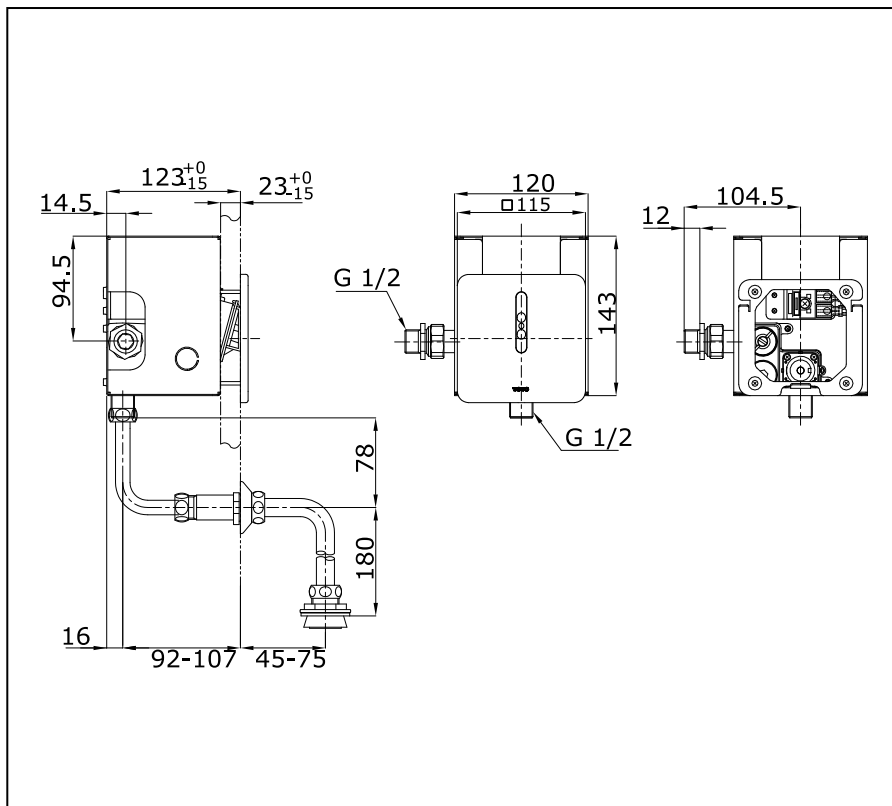
Water Pressure	: 0.05MPa - 0.75MPa
Finish	: Nickel Chrome
Material	: Brass
Water Volume	: 1.1 - 1.9 L/Time @ 0.1 - 0.75 MPa

Parts description

- TTUE601AC1

Concealed Urinal Sensor Flush Valve
(AC220V) for Top Inlet

Drawing:



Remarks:

Please consult TOTO sales representative for detail.