

TOTO

FAUCET

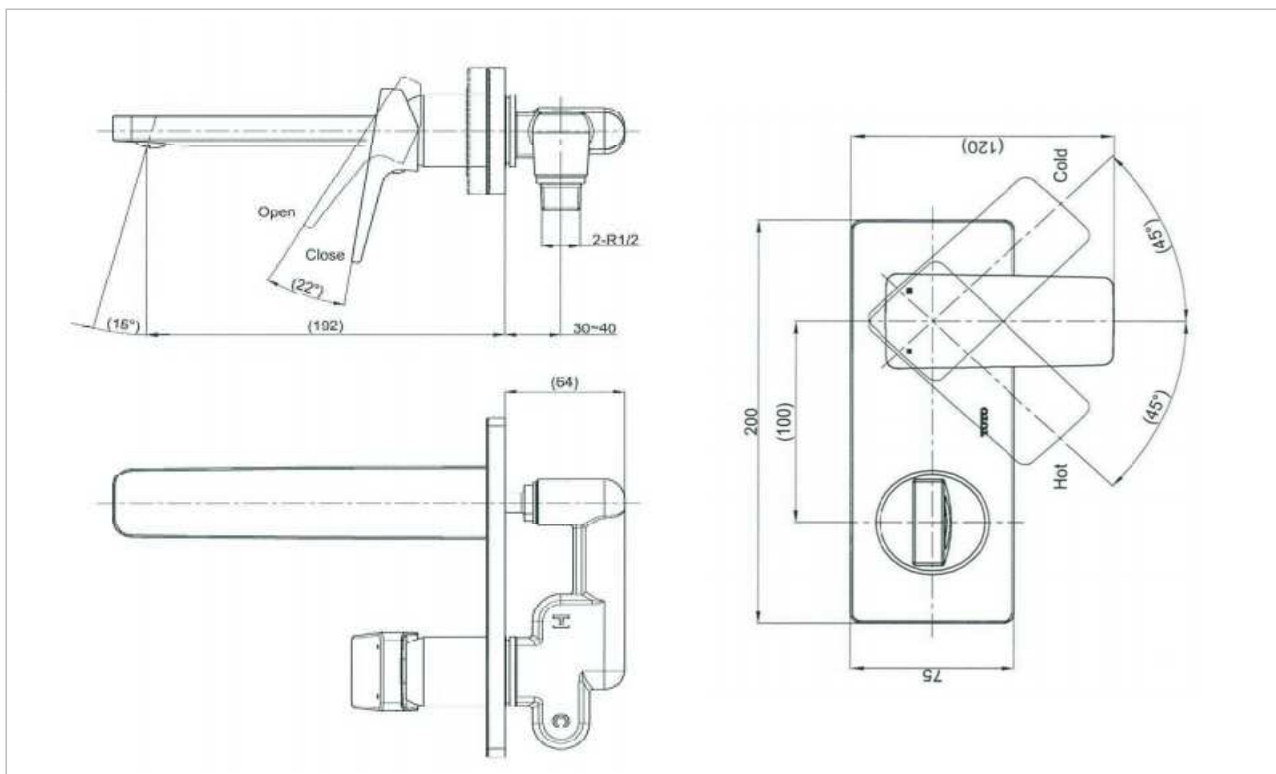
TTLR304K

Wall-Mount Single Lever Conceal Lavatory



Product Features

Water Inlet : Hot & Cold
Material : Brass
Finish : Nickel Chrome
Water Pressure : 0.05 Mpa ~ 1.0 Mpa
Drainage : Without



Suggestion Fittings & Parts

Remark : We reserve the right to change some parts for suitability.

TOTO MANUFACTURING (THAILAND) CO.,LTD

Bangkok Office : 598 Q House Ploenjit Building., G floor., Ploenchit Rd., Lumpini, Pathumwan, Bangkok. 10330 Thailand
Tel : +(66)2-650-9925(AUTO) Fax : +(66)2-650-9923-4