

RUFICE
Single Lever Lavatory Faucet
(w/ Pop-up Waste)



Features

- New design of modern elegance
- Durable finishes
- Smooth operation with lever type

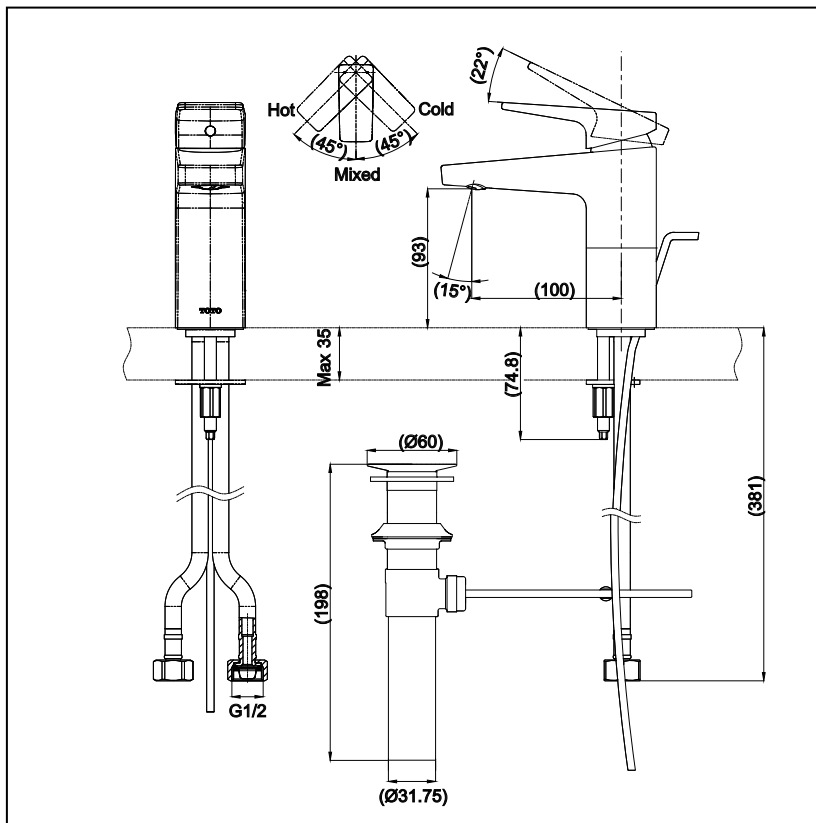
Specifications

Water Pressure	: 0.05MPa - 0.75MPa
Hole	: 1 Hole
Finish	: Nickel Chrome
Material	: Brass

Parts description

- **TTLR303FK-1R**

Single Lever Lavatory Faucet with
Pop-Up Waste



Remarks:

Please consult TOTO sales representative
for detail.