

RUFICE
Single Lever Lavatory Faucet
(w/o Pop-up Waste)

TTLR105FKR



Features

- New design of modern elegance
- Durable finishes
- Smooth operation with lever type

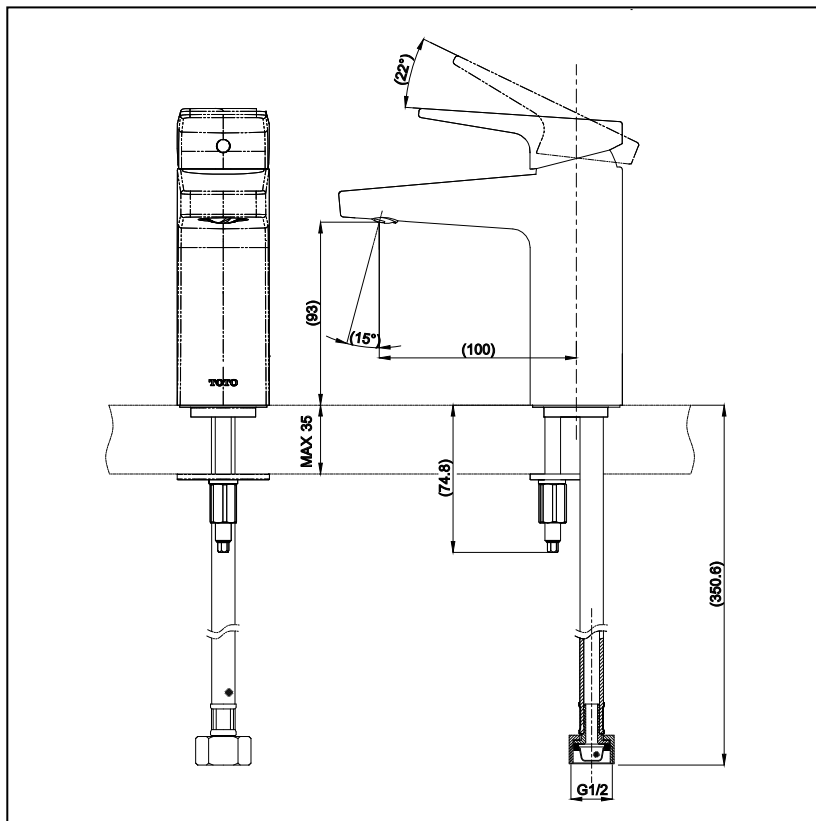
Specifications

Water Pressure	: 0.05MPa - 0.75MPa
Hole	: 1 Hole
Finish	: Nickel Chrome
Material	: Brass

Parts description

● TTLR105FKR

Single Lever Lavatory Faucet without Pop-Up Waste (Cold Water)



Remarks:

Please result TOTO sales representative for detail.