

Item number: **TTLR105FK**      **RUFICE Series**



## Features

- New design of modern elegance
- Durable finishes
- Smooth operation with lever type

## Specifications

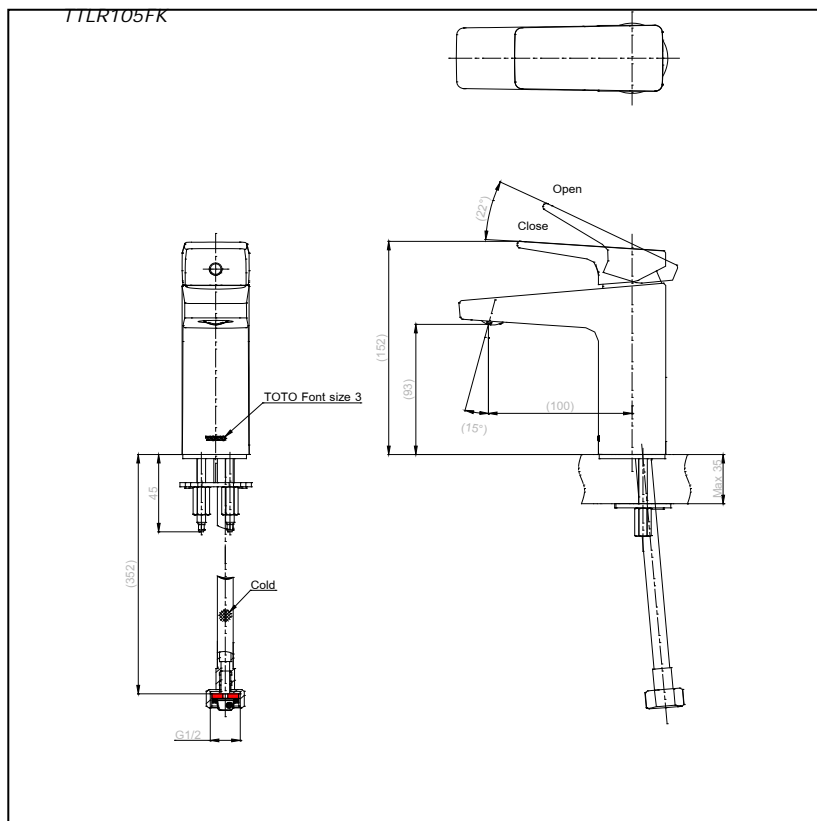
Water Pressure : 0.05MPa -0.75MPa  
 Hole : 1 Hole  
 Finish : Nickel Chrome  
 Material : Brass  
 Flow Rate/ : <6L/min @0.1MPa.  
 Water usage

## Parts description

- **TTLR105FK**

Single Lever Lavatory Faucet without  
 Pop-Up Waste (Cold Water)

## Drawing:



## Remarks:

*Please result TOTO sales representative  
 for detail.*