

Item number: **TTLR104FK** **REI-S Series**



Features

- Sharp-lined smart design exclusively for REI- Square series
- Durable finishes

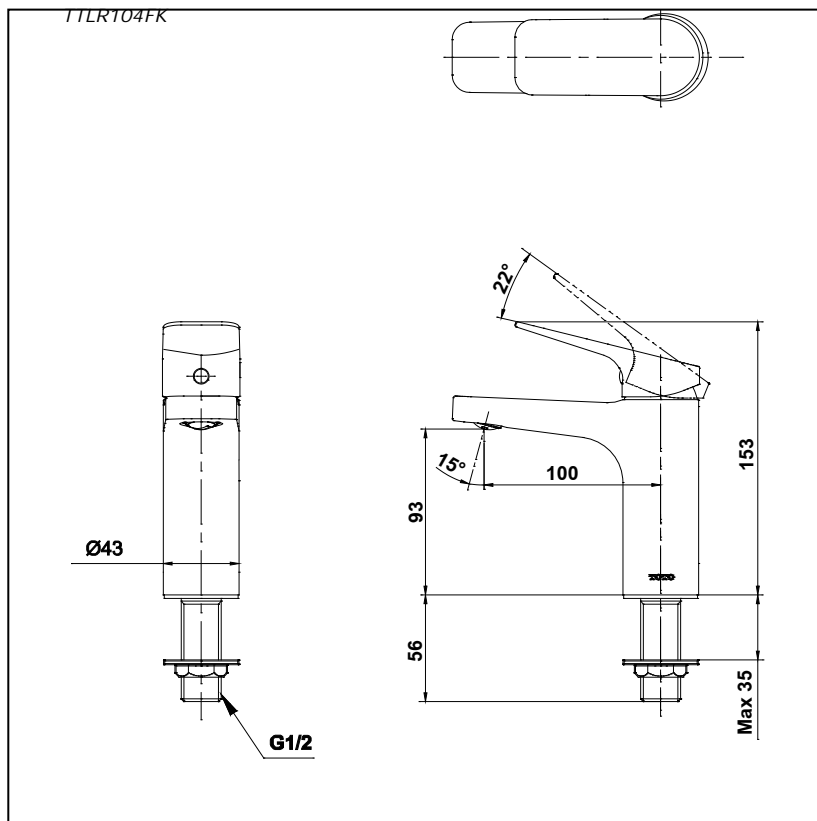
Specifications

Water Pressure : 0.05MPa -0.75MPa
 Hole : 1 Hole
 Finish : Nickel Chrome
 Material : Brass
 Flow Rate/ : <6L/min @0.1MPa.
 Water usage

Parts description

- **TTLR104FK**
 Single Lever Lavatory Faucet
 without Pop-Up Waste (Cold Water)

Drawing:



Remarks:

Please result TOTO sales representative for detail.