

Item number: **TTLC302K** CRES Series



Features



Specifications

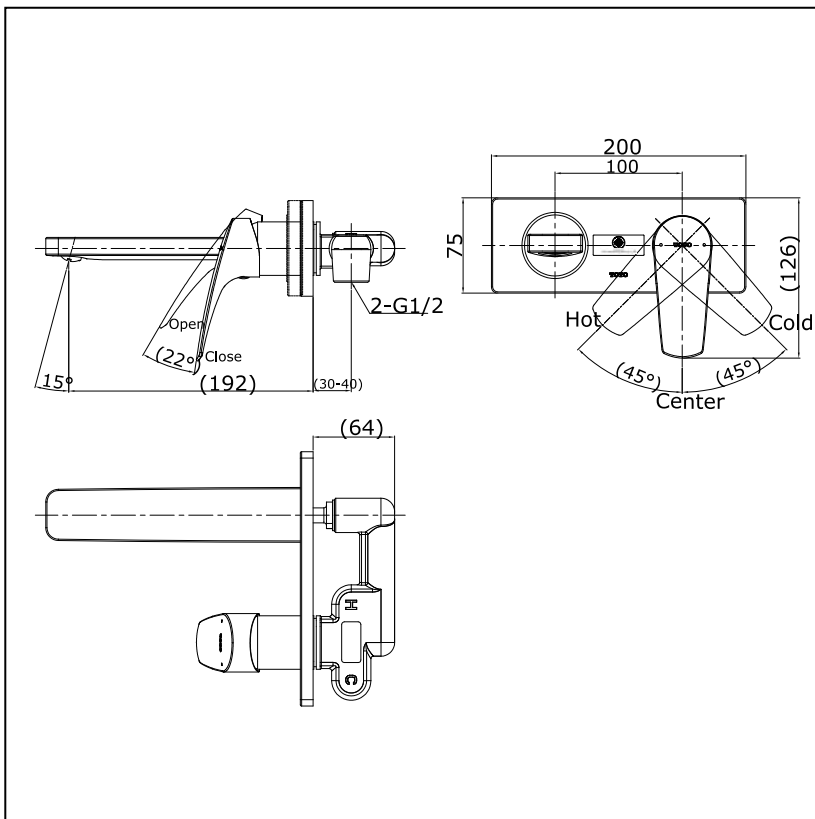
Water Pressure : 0.05MPa -0.75MPa
 Finish : Nickel Chrome
 Material : Brass
 Flow Rate/ : <6L/min @0.1MPa.
 Water usage

Parts description

- TTLC302K

Wall Mounted Lavatory Faucet

Drawing:



Remarks:

Please consult TOTO sales representative for detail.