

## Item number: TS403S(HM) MANUAL FLUSH VALVES



### Features



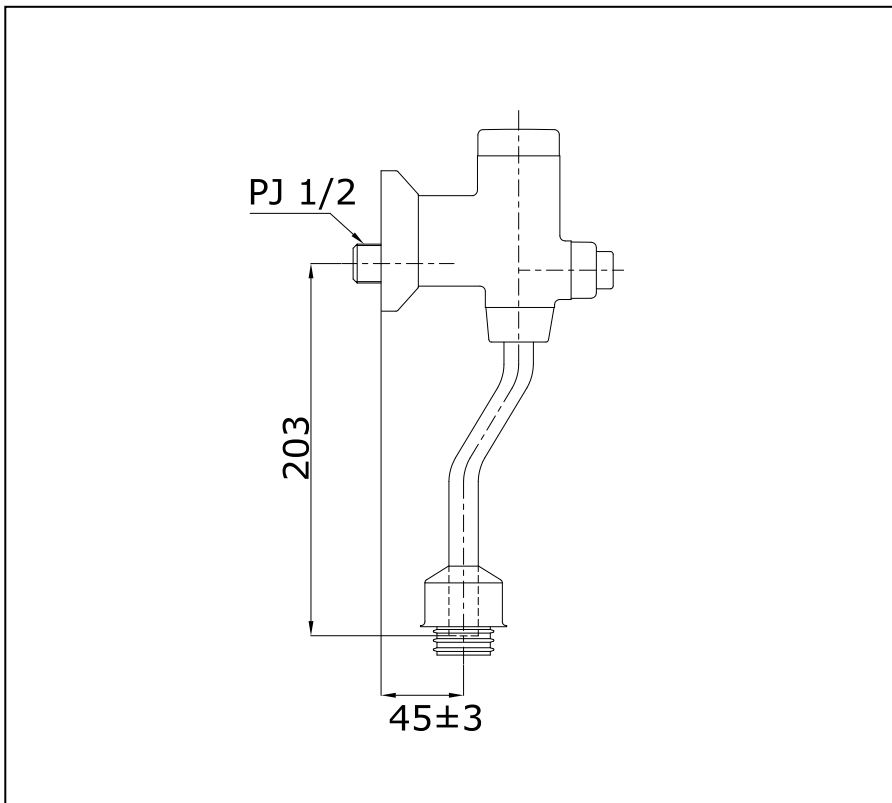
### Specifications

Water Pressure : 0.05MPa - 0.40MPa  
 Finish : Nickel Chrome  
 Material : Brass

### Parts description

- TS403S(HM)  
 Urinal Flush Valve with Bended Pipe  
 (Installation Distance : 45 mm)

### Drawing:



### Remarks:

Please result TOTO sales representative for detail.