

## Item number: TS402S(HM) MANUAL FLUSH VALVES



### Features

- 
- 

### Specifications

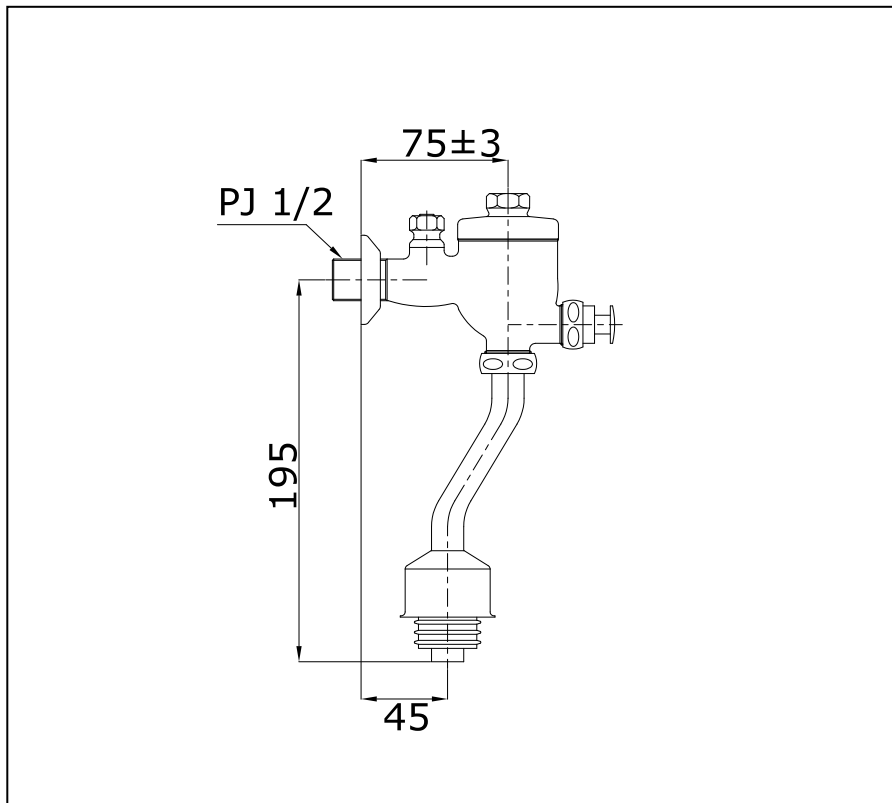
Water Pressure : 0.05MPa - 0.40MPa  
Finish : Nickel Chrome  
Material : Brass

### Parts description

- TS402S(HM)

Urinal Flush Valve with Bended Pipe  
(Installation Distance : 45 mm)

### Drawing:



### Remarks:

Please result TOTO sales representative for detail.