

Item number: TS213 OTHER FAUCETS



Features



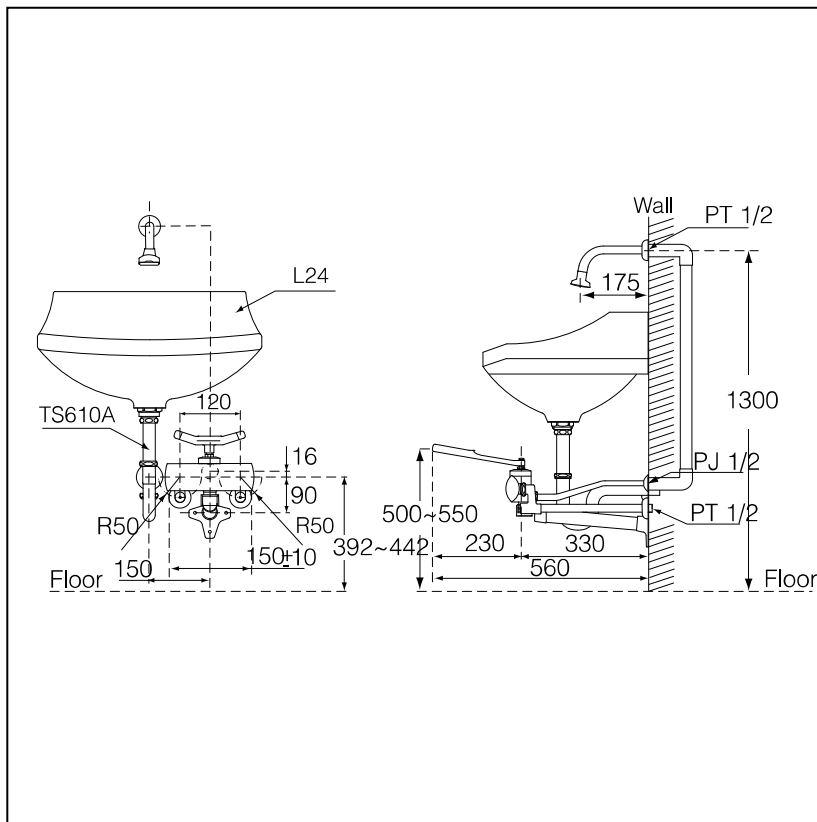
Specifications

Water Pressure : 0.05MPa -0.75MPa
 Hole : 3 Hole
 Finish : Nickel Chrome
 Material : Brass
 Flow Rate/ : <6L/min @0.1MPa.
 Water usage

Parts description

- TS213
Knee Action Mixer

Drawing:



Remarks:

Please consult TOTO sales representative for detail.