

Item number: **TS126AR**    **ACCESSORIES (PUBLIC TOILET)**



## Features



## Specifications

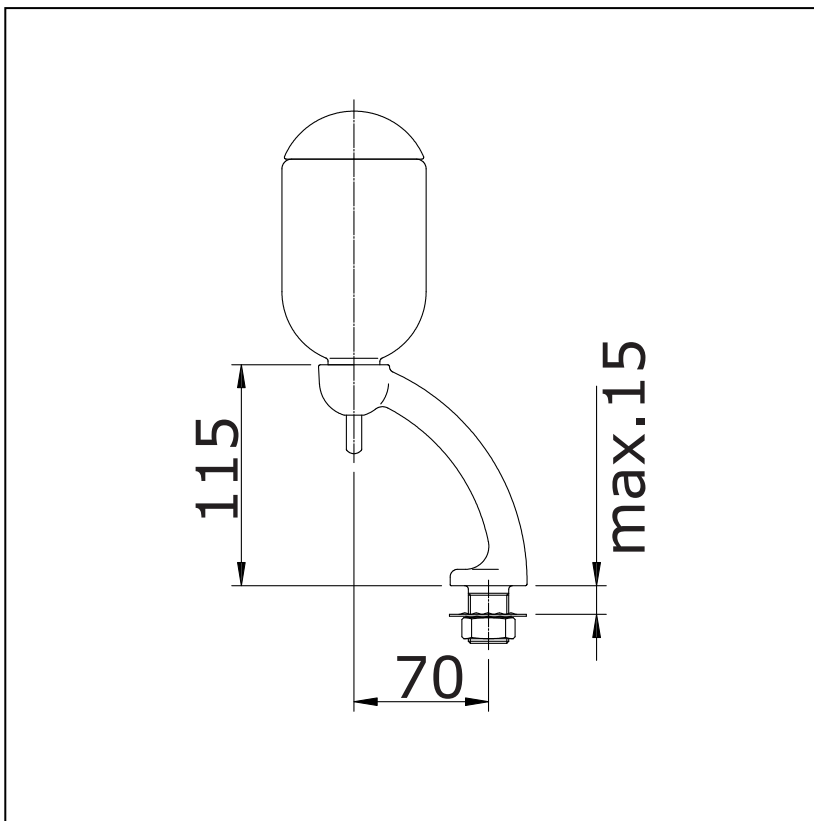
Finish : Nickel Chrome  
Material : Plastic

## Parts description

● **TS126AR**

Liquid Soap Dispenser

## Drawing:



### Remarks:

*Please result TOTO sales representative for detail.*