

Item number: **TS125R** **ACCESSORIES (PUBLIC TOILET)**



Features



Specifications

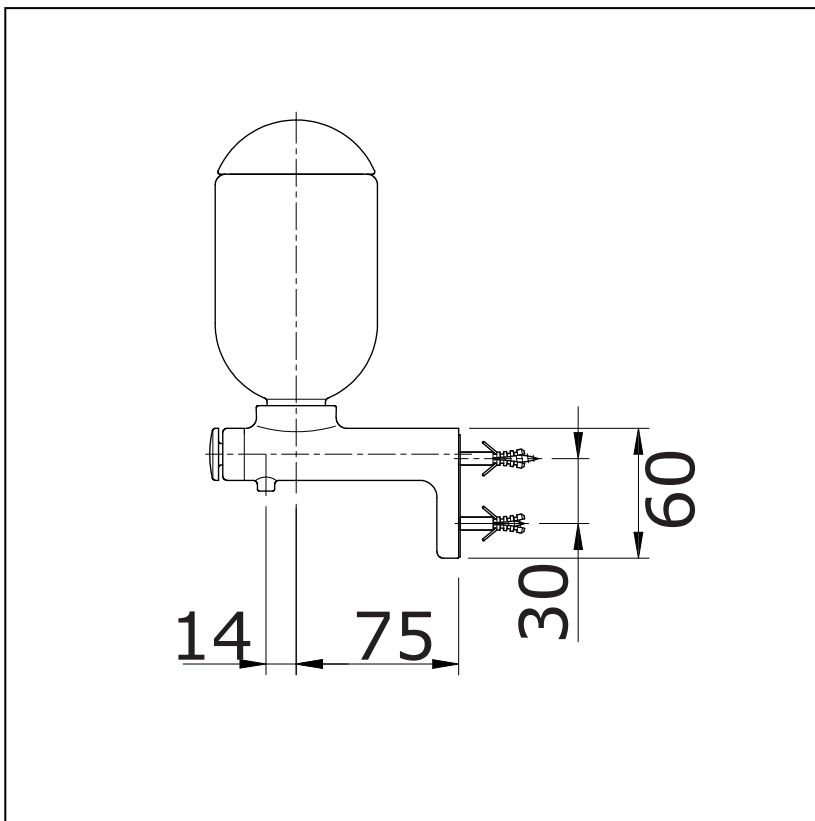
Finish : Nickel Chrome
Material : Plastic

Parts description

- **TS125R**

Liquid Soap Dispenser

Drawing:



Remarks:

Please result TOTO sales representative for detail.