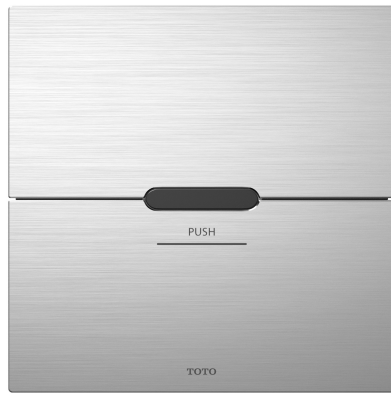


Sensor Flush Valves

TREF35L2A



Features

- Automatic flush enables Hands-free usage, increasing hygiene
- Push button - Enable users to flush manually

Specifications

Water Pressure : 0.1~0.75Mpa

Water Consumption : 4.5/3.0 LPF

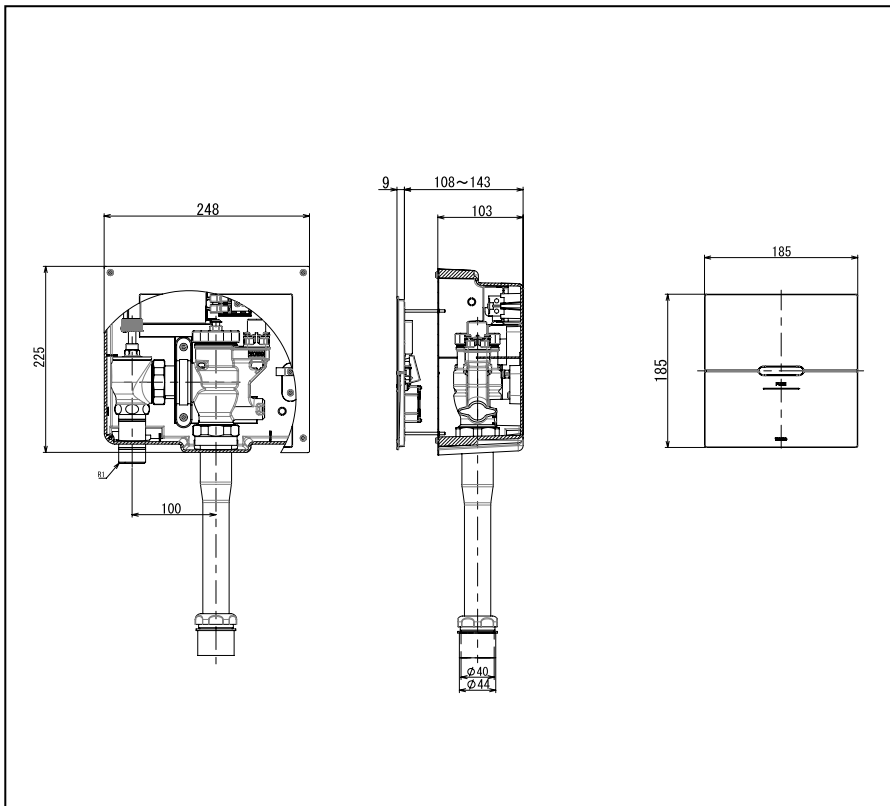
Power : AC 220V

Material : Bronze (Valve)
Stainless steel (Panel)

Parts description

• TREF35L2A

Concealed Toilet Sensor Flush Valve
(AC220V)



Please consult a TOTO representative for details