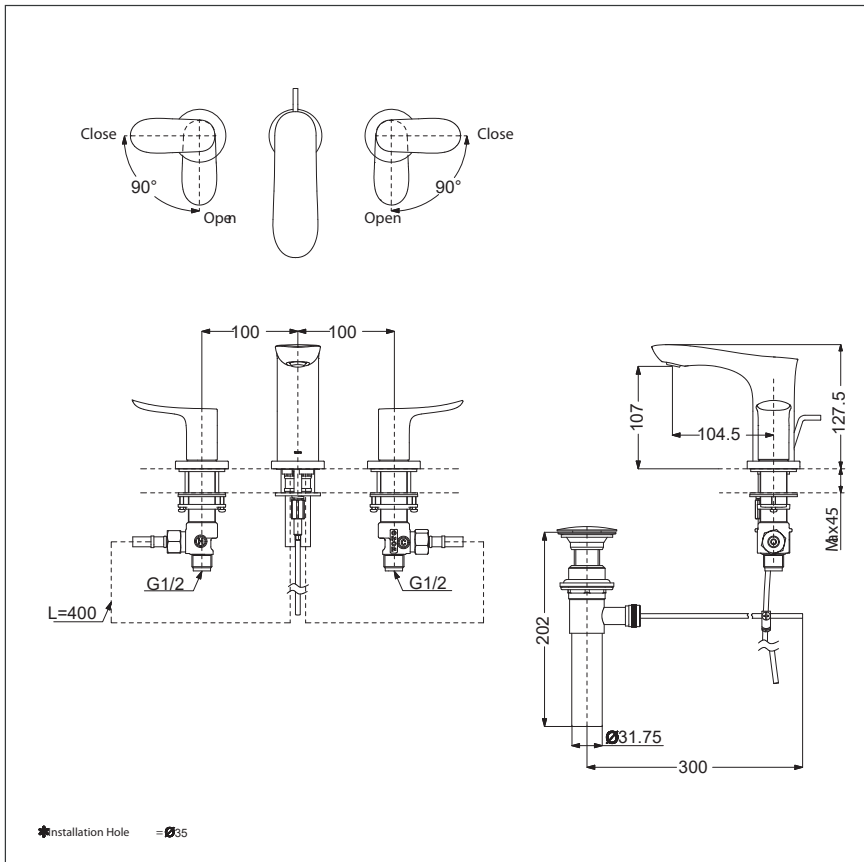


## GO Series 2 Handle Lavatory Faucet (3 hole)



## TLG01201T

### Features

- Design concept is gorgeous and organic
- Safety control with heat insulating handle.

### Specifications

Finish : Chrome

Water Pressure : 0.05Mpa ~ 1.0Mpa

Material : Brass

### Parts Description

- **TLG01201T**  
2 Handle Lavatory Faucet (3 hole)

Please consult a TOTO representative for details

## Flow Rate

