

GO Series
Single Lever Lavatory Faucet
(Without Pop-Up Waste)
(Cold Water Only)

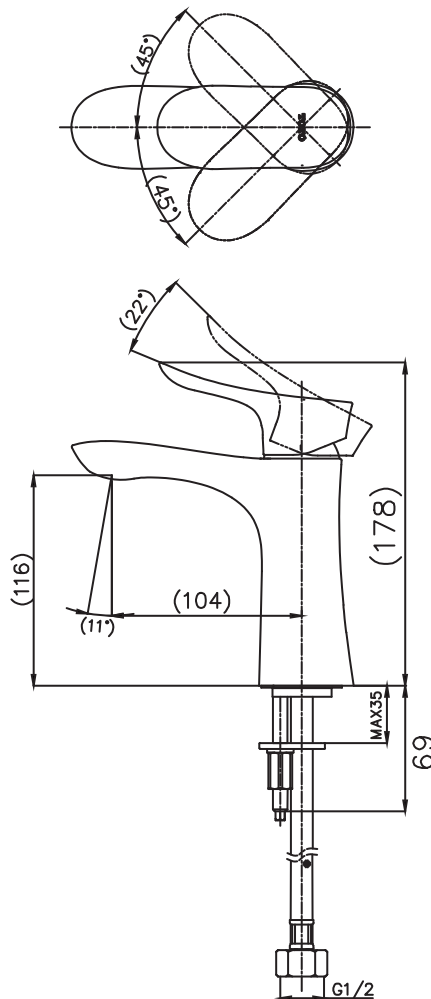


Features

- Design Concept is Gorgeous and Organic.
- Long lasting, comfort glide mechanism for a smooth operation
- High corrosion resistance plating



TLG01103T



Specifications

Finish : Chrome

Material : Brass

Water Pressure : 0.05Mpa ~ 1.0Mpa

Parts Description

- **TLG01103T**
Single Lever Lavatory Faucet
(without pop-up waste)
(cold water only)

Please consult a TOTO representative for details