



Features

- Hands-free usage increases hygiene
- Sensor positioned underneath the spout head for more accurate user detection
- WATER SAVING
- SOFT FLOW Technology: Translucent streams of water touch the skin gently provides a soft, lustrous and enriching experience with minimal splashing.

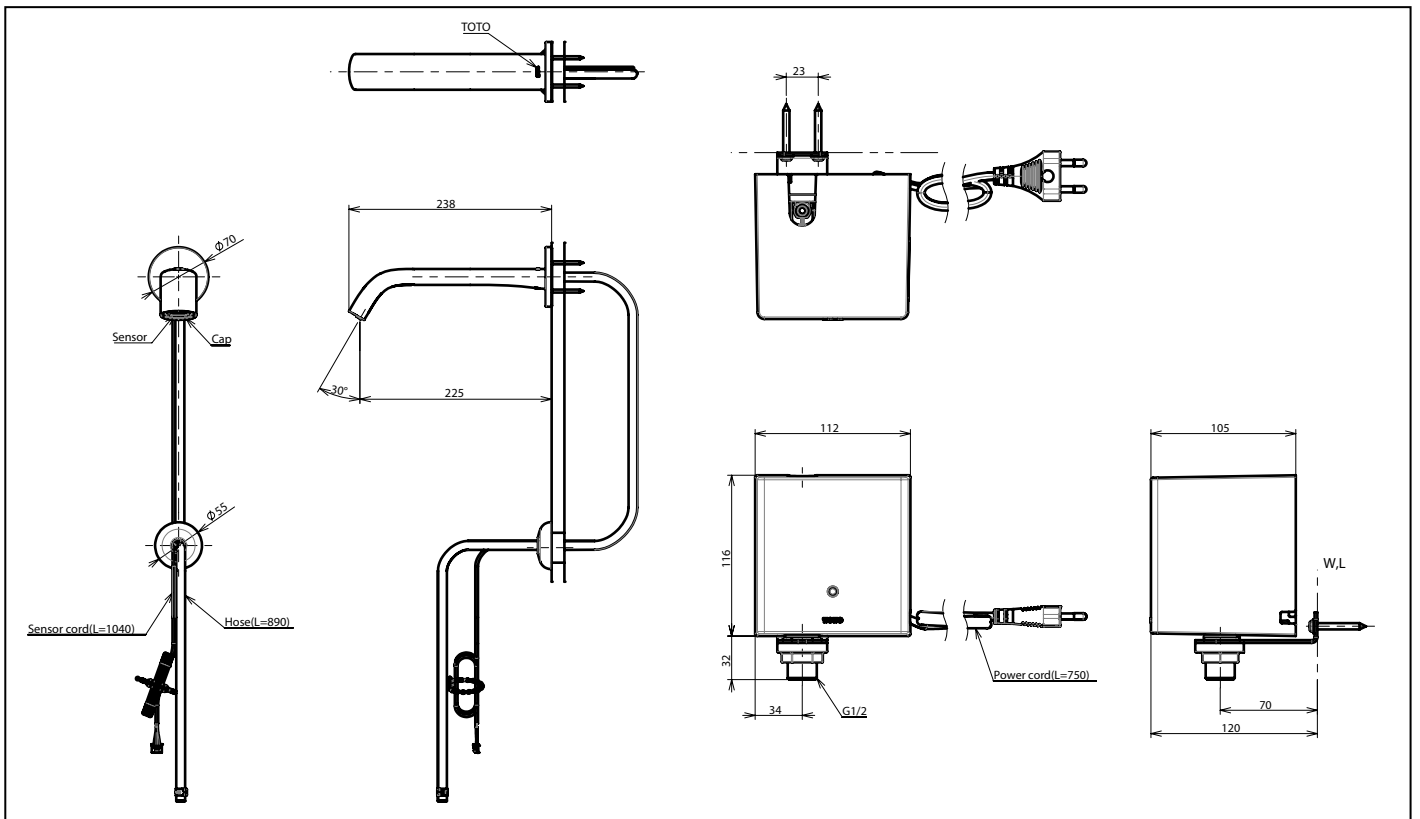
Specifications

Flow Rate: 1.3L/min
 Water Pressure: 0.05MPa ~ 0.75MPa
 Finish: Nickel Chrome

Parts description

TLE24005T-AC
 (AC220~240V)

1. TLE24005* (Wall-mounted)
2. TLE01501T (AC Operated Controller)



Remarks: Please result TOTO sales representative for detail.