



## Features

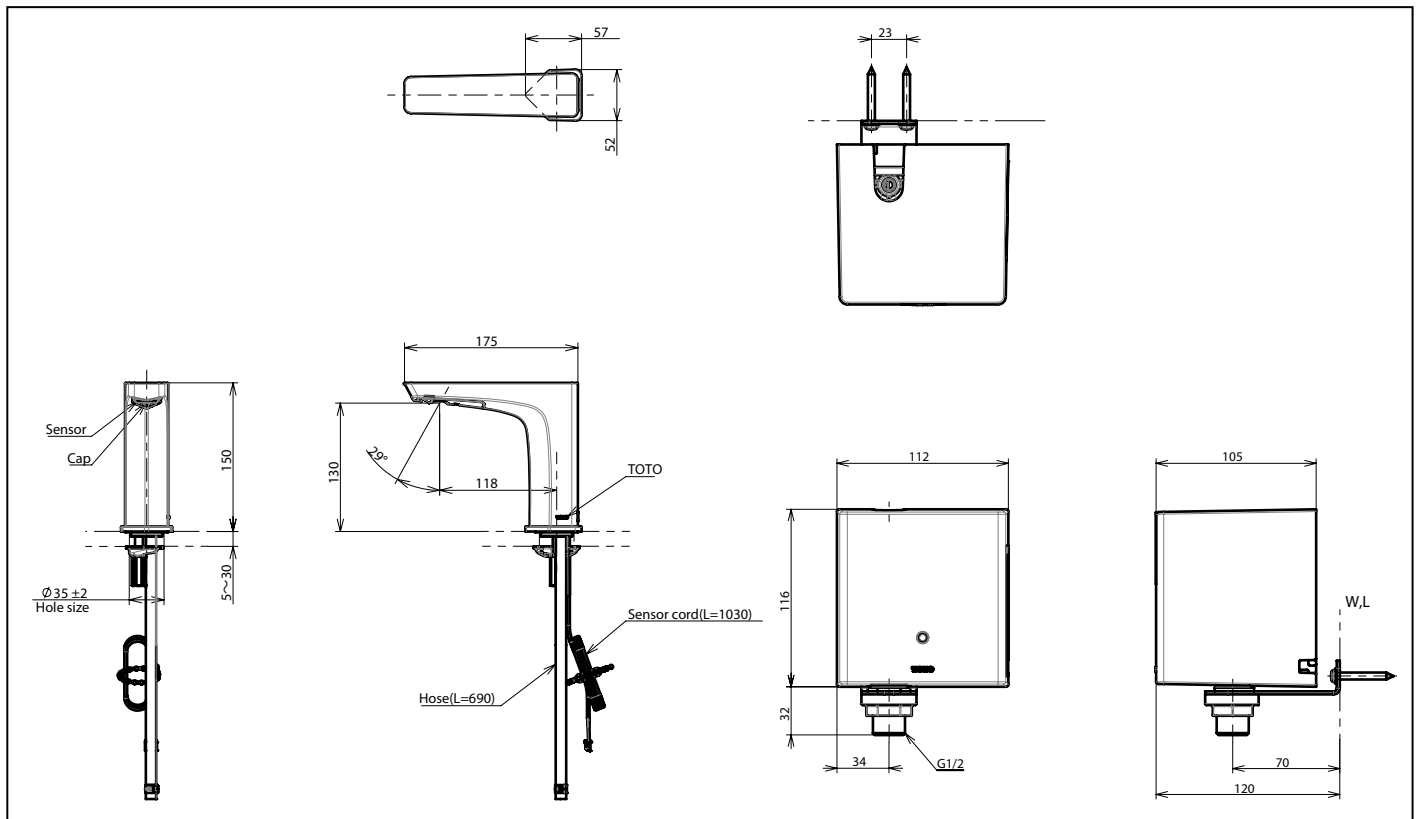
- Hands-free usage increases hygiene
- Sensor positioned underneath the spout head for more accurate user detection
- ECOPOWER Technology  
Self-generated power saves electricity
- WATER SAVING
- ECO CAP Technology:  
TOTO aerated bubble technology adds air to the water to achieve full water jet

## Specifications

Flow Rate: 1.3L/min  
 Water Pressure: 0.05MPa ~ 0.75MPa  
 Finish: Nickel Chrome

## Parts description

- TLE20001T-EC  
 (ECOPOWER)  
 1. TLE20001\* (Deck-mounted)  
 2. TLE03501T (ECOPOWER Controller)



Remarks: Please result TOTO sales representative for detail.