



Features

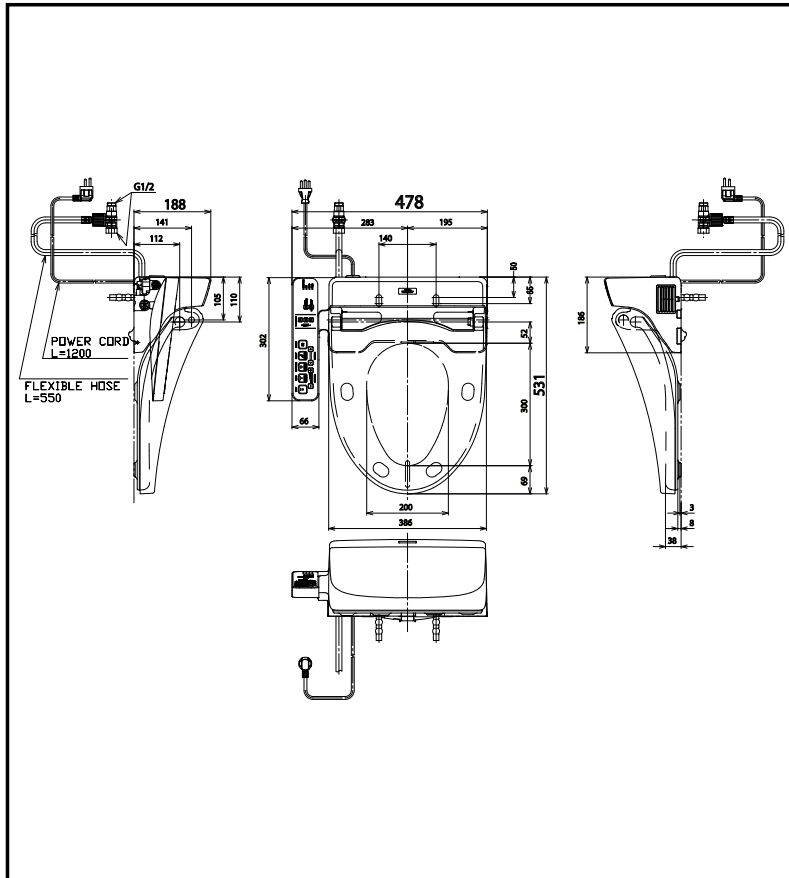
- HEATED SEAT *soft-closing with temperature control*
- Adjustable water temperature
- Adjustable cleanse functions (*rear and front cleanse*)
- Adjustable cleansing position
- Adjustable WARM AIR DRYING
- Oscillating comfort cleanse
- PREMIST water is sprayed inside the toilet bowl to make it difficult for dirt to adhere
- Auto powerful DEODORIZER activates after every usage
- Auto energy saving function

Specifications

- Water Pressure : 0.05Mpa~0.75Mpa
 Power Rating : 220~240V , 50/60Hz , 262~307W
 Length of Power Cord : 1.2 m

Colors

White



Caution: WASHLET™ may not fit certain toilet bowl design.
 Please check the compatibility of WASHLET™ and your toilet bowl prior purchase.