



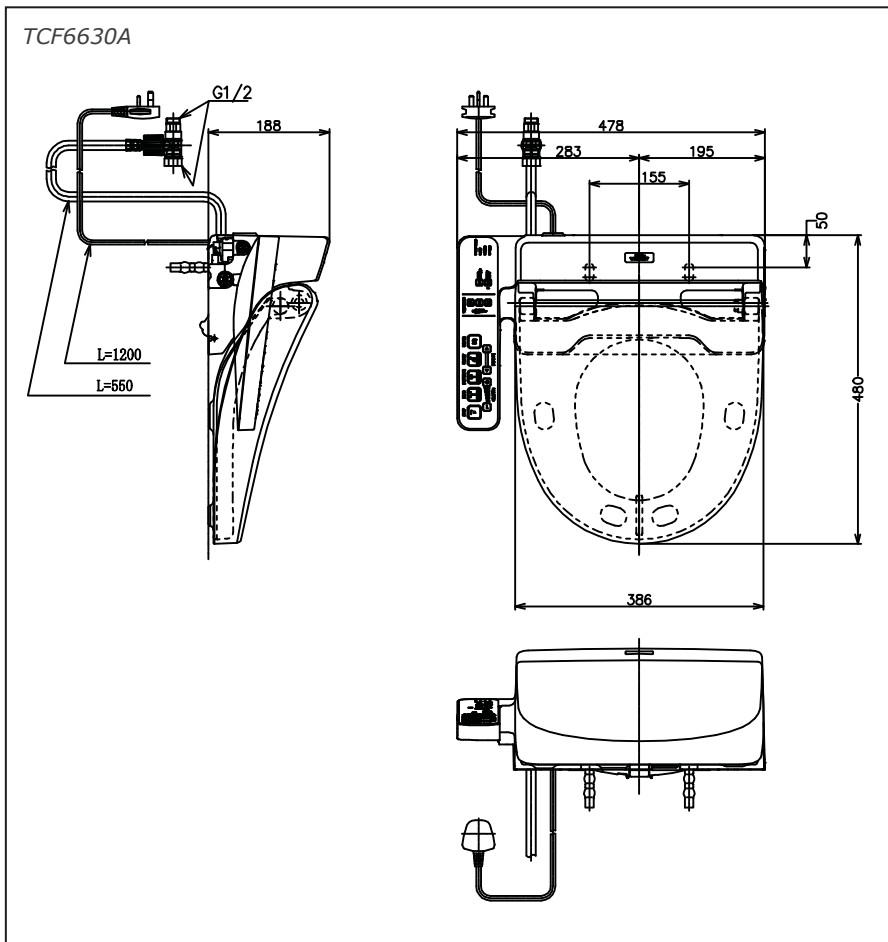
Features

- Fully equipped with comfortable rear, front, and oscillating cleansing functions
- Adjustable warm air dryer
- Auto powerful deodorizer activates after every usage
- Soft closing seat and cover
- Heated seat with temperature control
- Premist water is sprayed inside the toilet bowl to make it difficult for dirt to adhere
- Energy-saving function
- Easy remove for cleaning

Specifications

Water Pressure : 0.05MPa~0.75MPa
 Power Rating : 220~240V , 50/60Hz , 262~307W
 Length of Power Cord : 1.2m
 Material : Plastic
 Size : 478W x 480D x 188H mm

TOTO
GREEN
CHALLENGE



Parts description

- **TCF6630A**
WASHLET
Round Size

Colors

White

Please consult a TOTO representative for details

Caution: WASHLET may not fit certain toilet bowl design.
 Please check the compatibility of WASHLET and your toilet bowl prior purchase