

TOTO

SEAT&COVER

TCF491A TCF490A

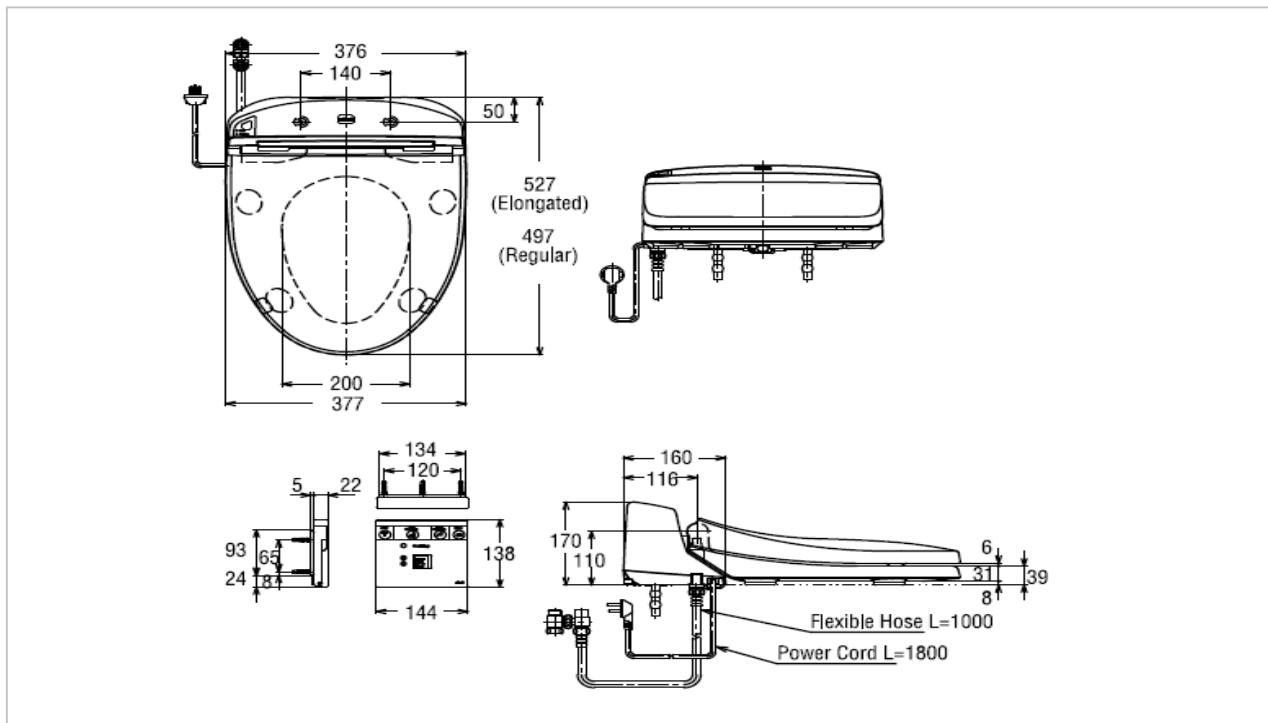
"Washlet SG" Washlet



Product Features

- Elongated Size (220V type) with
- *Remote Control
- *Rear Cleansing
- *Front Cleansing
- *Air Dryer
- *Soft Closing Seat & Cover
- Water Pressure : Min : 0.05 MPa
Max : 0.75 MPa
- SIZE : 376 x 527 x 170 mm.

- TCF490A** (Regular Size)
- SIZE : 376 x 497 x 170 mm.



Suggestion Fittings & Parts

Remark : We reserve the right to change some parts for suitability.

TOTO (THAILAND) CO.,LTD

Bangkok Office : 598 Q House Ploenjit Building., G floor., Ploenchit Rd.,Lumpini, Pathumwan, Bangkok. 10330 Thailand
Tel : +(66)2-650-9925(AUTO) Fax : +(66)2-650-9923-4
www.toto.co.th