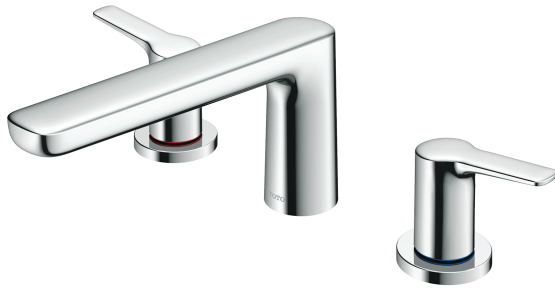


GS Series
Bath filler without shower
(3-hole)



Features

- Design concept is gorgeous and smart
- Safety control with heat insulating handle.
- High corrosion resistance plating



Specifications

Finish : Chrome

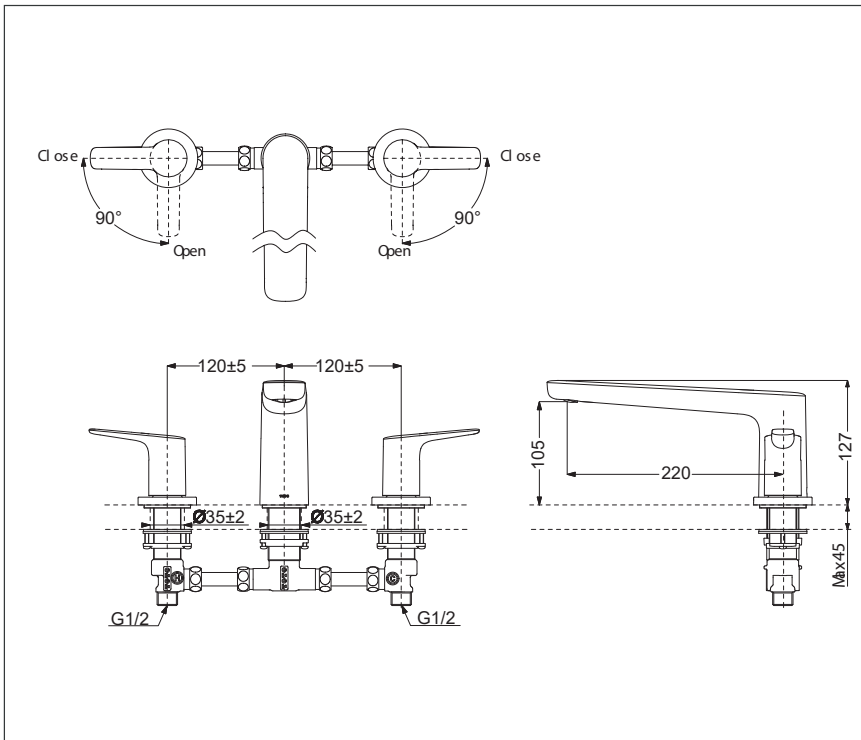
Material : Brass

Water Pressure : 0.07 ~ 1.0 Mpa

Parts Description

- **TBG03201T**
Bath filler without shower (3-hole)

Please consult a TOTO representative for details



Flow Rate

