



Features

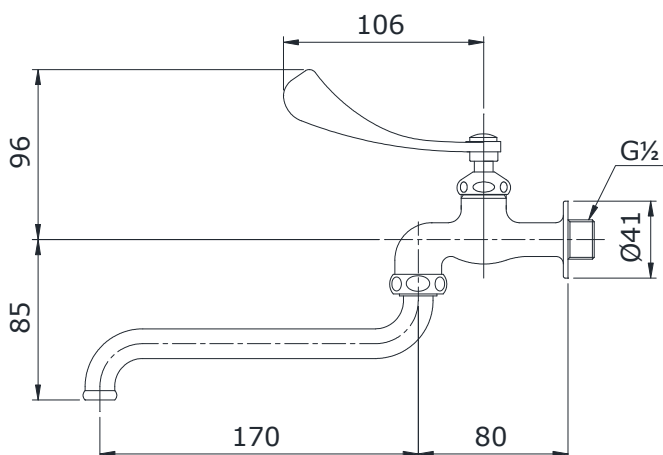
- Modern styling
- Durable finishes
- Brass valve bodies
- Ceramic disk valve cartridge for drip free performance

Specifications

Water Pressure	: 0.05MPa - 0.75MPa
Material	: Brass
Finish	: Nickel Chrome

Parts description

- **T30ARQ13N**
Lever Handle Sink Tap



Please consult a TOTO representative for details