

Item number: DS716W Bathroom Accessories



Features

- Simple installation, easy to use

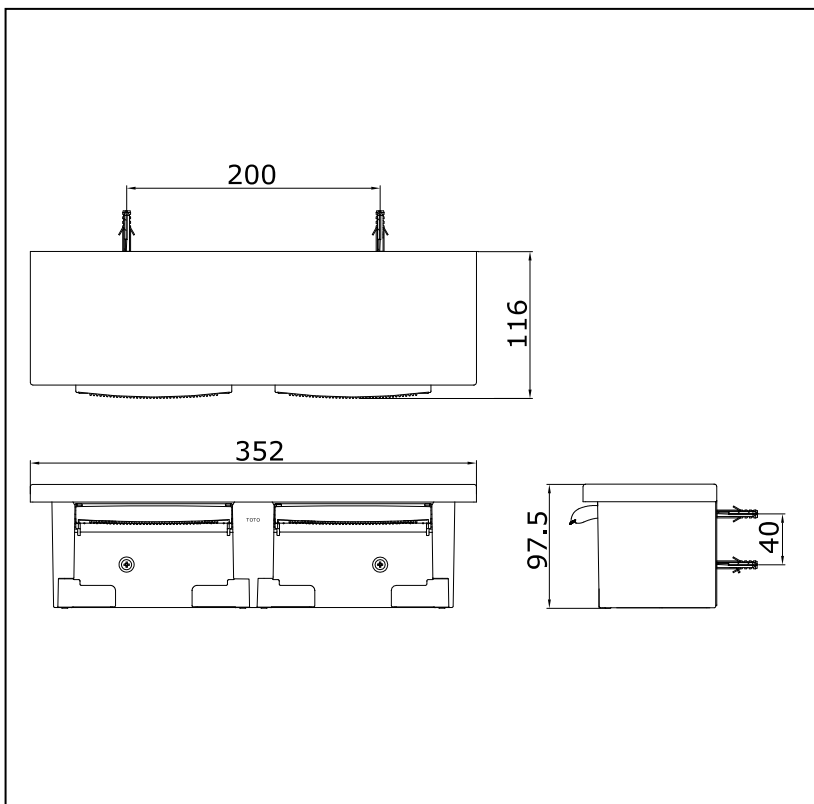
Specifications

Finish : Nickel Chrome
Material : Brass

Parts description

- **DS716W**
Double Paper Holder

Drawing:



Remarks:

Please consult TOTO sales representative for detail.