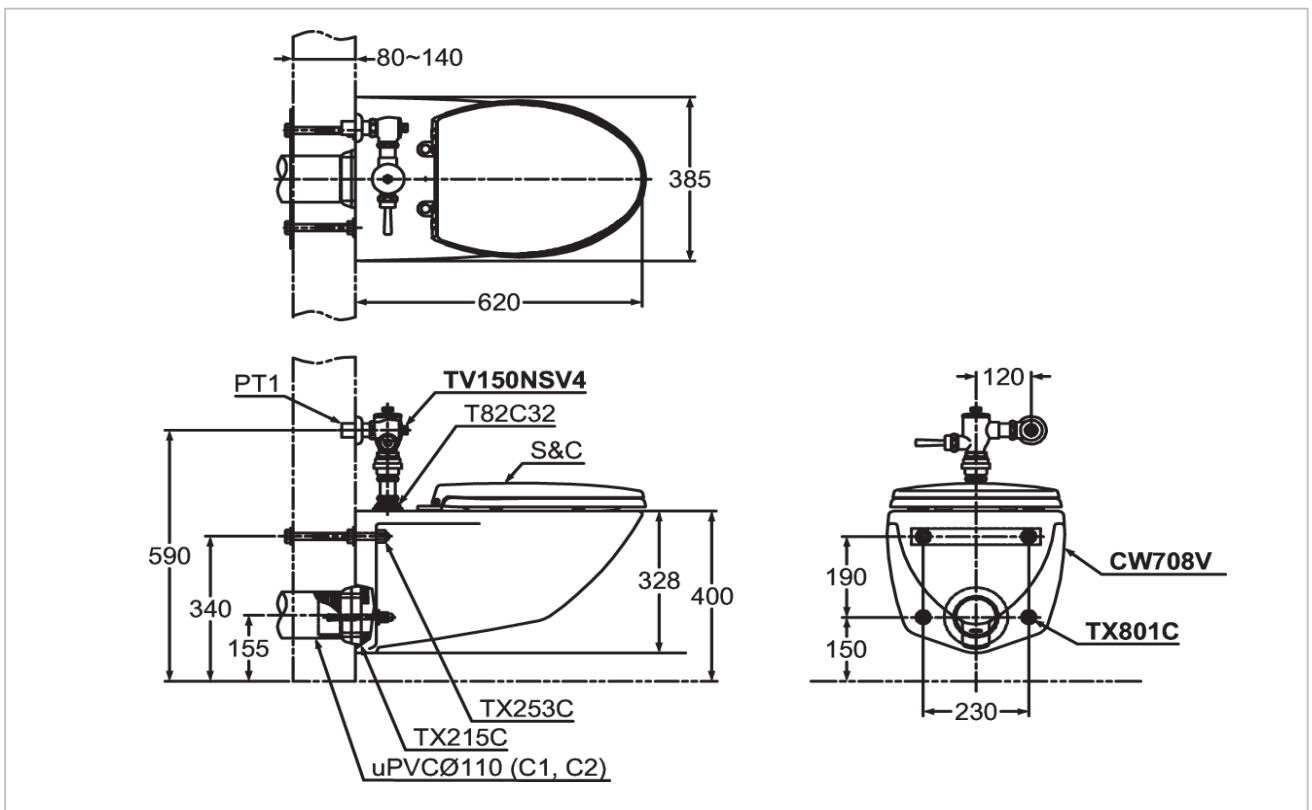


Toilet for Flush Valves



Product Features

- Wall Hung Toilet(For Flush Valve)
- Flush system : Siphon-Jet (6L)
- Bowl Shape : Elongated
- Rough-in : 155 mm (P-Trap)
- Seat & Cover : TC365
- Size : 385W x 622D x 334H mm



Suggestion Fittings & Parts

Remark : We reserve the right to change some parts for suitability.