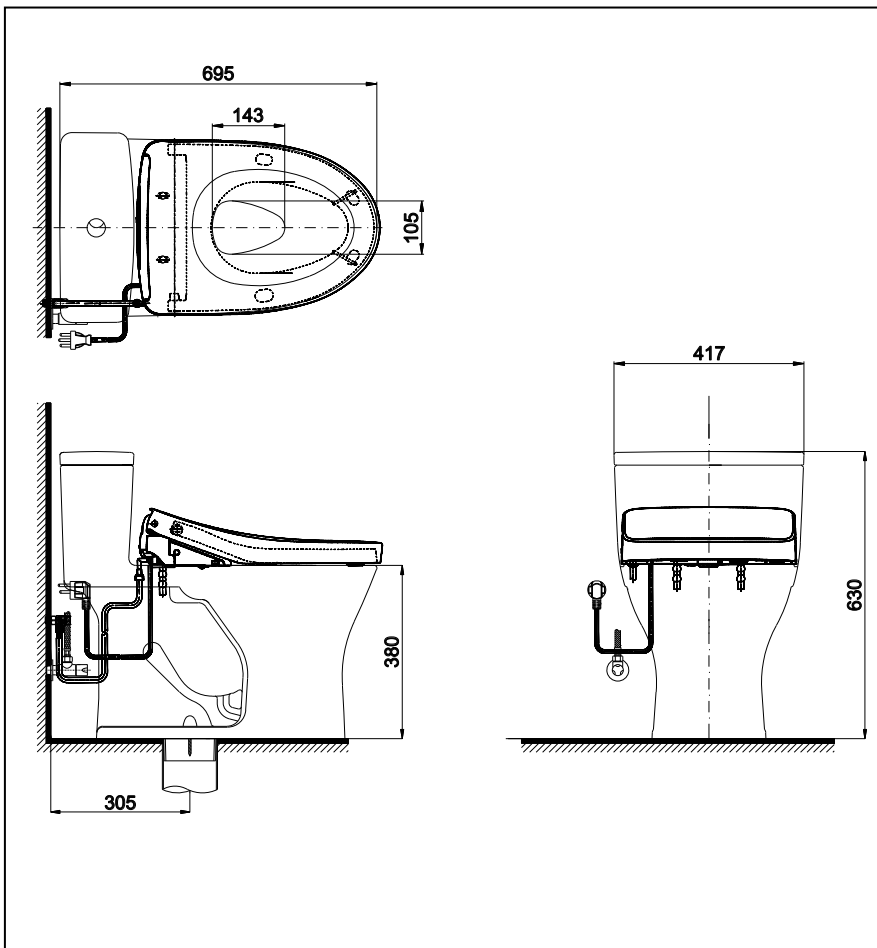




### Features

- Modern & luxury design
- Stain Resistant, Easy-to-clean Surface with CEFIONTECT Technology
- TORNADO FLUSH System, WATER SAVING (4.8 L)
- EWATER+ spreads out and keeps clean toilet bowl and nozzle by preventing bacterial with sanitizing effect
- AUTO OPEN/CLOSE LID
- Maximized comfort function with new wide front and pulsating cleansing
- Fully equipped with comfortable rear, front and oscillating cleansing functions
- Build-in with Motion Sensor - Microwave technology
- Infrared Sensor for remote control capabilities
- Adjustable WARM AIR DRYING
- HEATED SEAT with temperature control
- Auto powerful DEODORIZER activates after every usage

EWATER+ is made from tap water by electrolyzed chloride ion without any chemicals. After use, it returns to normal water in the state of safe and environmental friendly



### Specifications

- Flush System : TORNADO
- Water Use : 4.5/3 (L)
- Bowl Shape : Elongated
- Rough-in : 305 mm.
- Water Pressure : 0.05Mpa~0.75Mpa
- Seat & Cover : **TCF4911ETH**
- Power Rating : 220~240V , 50/60Hz ,

### Colors

White

Please consult a TOTO representative for details