

## WASHLET™ +

# CW624UW2R



## Features

- TORNADO FLUSH system,
- CEFIONTECT technology : Super smooth, ion barrier grazing for a clean toilet bowl
- Conceal water hose and electrical cord.
- Gentle Aerated, Warm Water, Dual Action Spray with oscillating and pulsating feature
- Adjustable water temperature and volume
- Adjustable WARM AIR DRYING temperature settings
- Automatic DEODORIZER
- Docking station for easy cleaning and installation
- HEATED SEAT with temperature control
- EWATER+® auto-cleans wand
- Water PREMIST® of bowl before each use



## Specifications

- Flush System : TORNADO  
 Water Use : 4.8 (L)  
 Bowl Shape : Elongated  
 Rough-in : 305 (mm)  
 Water Pressure : 0.05~0.70Mpa  
 Seat & Cover : **TCF23460ATH**  
 Power Rating : 220~240V , 50/60Hz , 306~361 W  
 Size : 402W x 722D x 709H mm

## Parts description

**CW624UCT**

Toilet Bowl

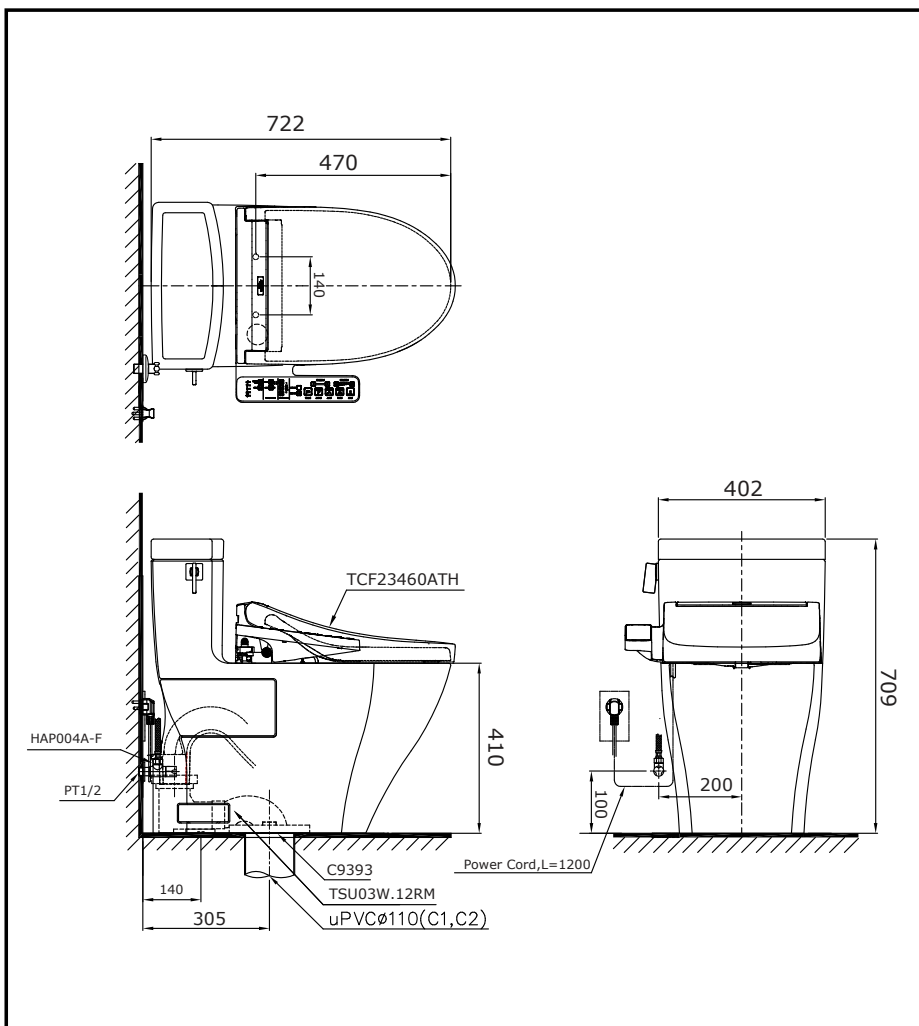
**TCF23460ATH**

WASHLET Seat & Cover

## Colors

White

Please consult a TOTO representative for details



TOTO (THAILAND) CO.,LTD

Bangkok Office : G Tower Grand Rama 9,12th Floor, South Wing, 9 Rama IX Road, Huaykwang Sub-district, Huaykwang District, Bangkok. 10310 Thailand  
 Tel : +(66)2-117-9520(AUTO) Fax : +(66)2-117-9527  
 th.toto.com

All rights reserved by TOTO company. Specifications and size are subject to change without notice.