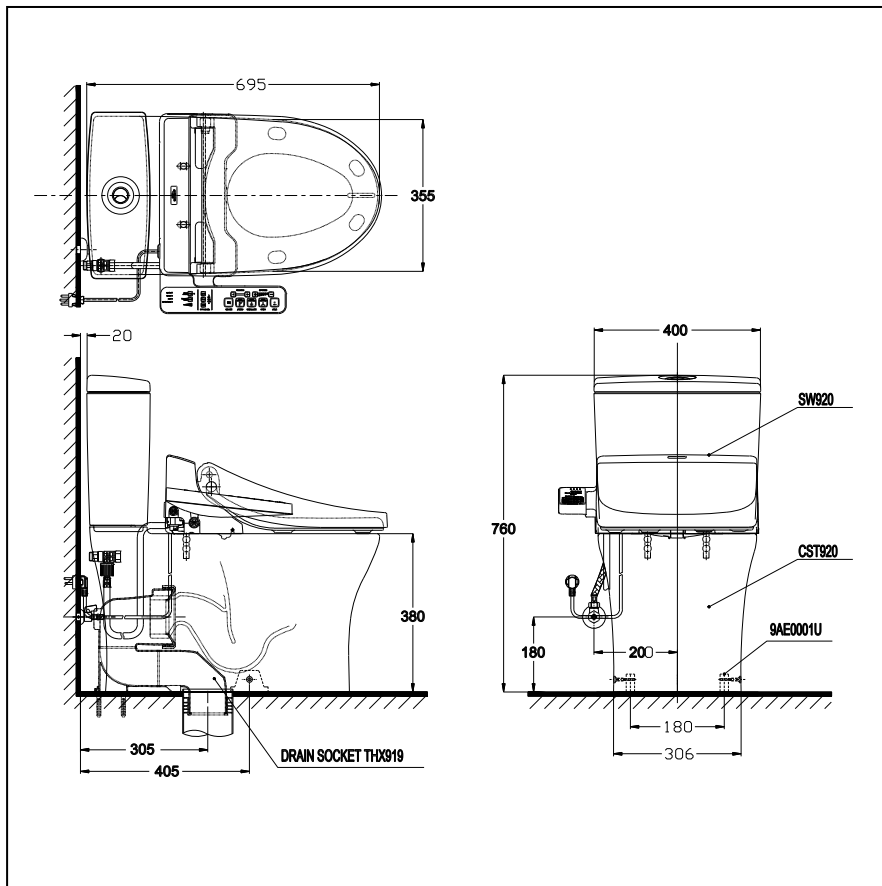
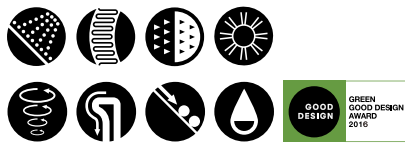


WASHLET™

CST920RW4



Features

- Stylish design, high profile close Coupled toilet
- Dual Flush System
- TORNADO FLUSH System, WATER SAVING 4.5/3 L)
- HEATED SEAT soft-closing with temperature control
- CEFIONTECT technology: super smooth, ion barrier glazing for a clean toilet bowl
- Adjustable WARM AIR DRYING
- Adjustable 2 cleanse functions (rear and front cleanse)
- Adjustable cleansing position
- Adjustable water temperature
- Auto powerful DEODORIZER activates after every usage

Specifications

- Flush System : TORNADO
- Water Use : 4.5/3 L
- Bowl Shape : Elongated
- Rough-in : 305 (mm)
- Water Pressure : 0.05Mpa~0.75Mpa
- Seat & Cover : **TCF6631TH**
- Power Rating : 220~240V , 50/60Hz , 262~307 W

with CEFIONTECT

Colors

White

Please consult a TOTO representative for details