

TOTO

TOILET

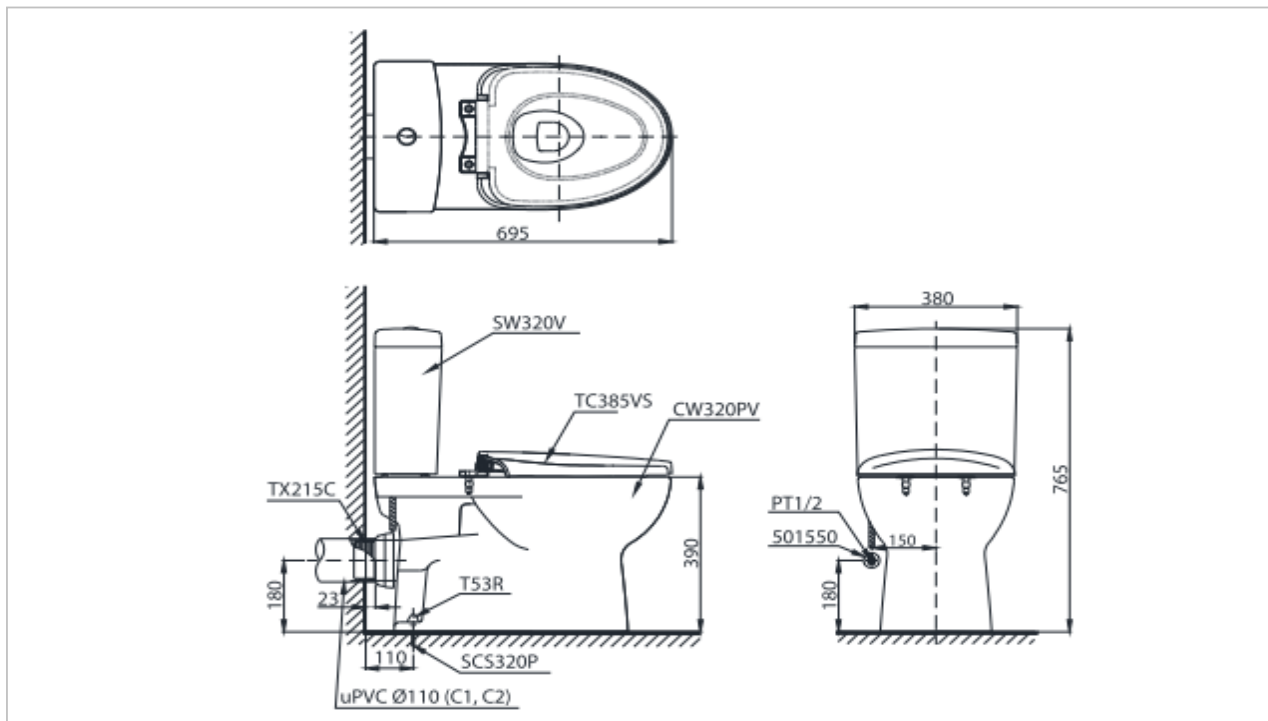
CST320P

Two Piece Toilet



Product Features

Flush System : Siphon
Water Use : 4.8L / 3L
Rough-in : 180 mm
Size : 380 x 695 x 765
Water Pressure : 0.05Mpa ~ 0.7 MPa



Suggestion Fittings & Parts

Remark : We reserve the right to change some parts for suitability.

TOTO (THAILAND) CO.,LTD

Bangkok Office : 598 Q House Ploenjit Building., G floor., Ploenchit Rd.,Lumpini, Pathumwan, Bangkok. 10330 Thailand

Tel : +(66)2-650-9925(AUTO) Fax : +(66)2-650-9923-4

www.toto.co.th