

Item number: **CST300**



Features

- Contemporary and elegant design
- Soft-closing seat & cover
- Superior water-saving performance with 4.8/3L flush system

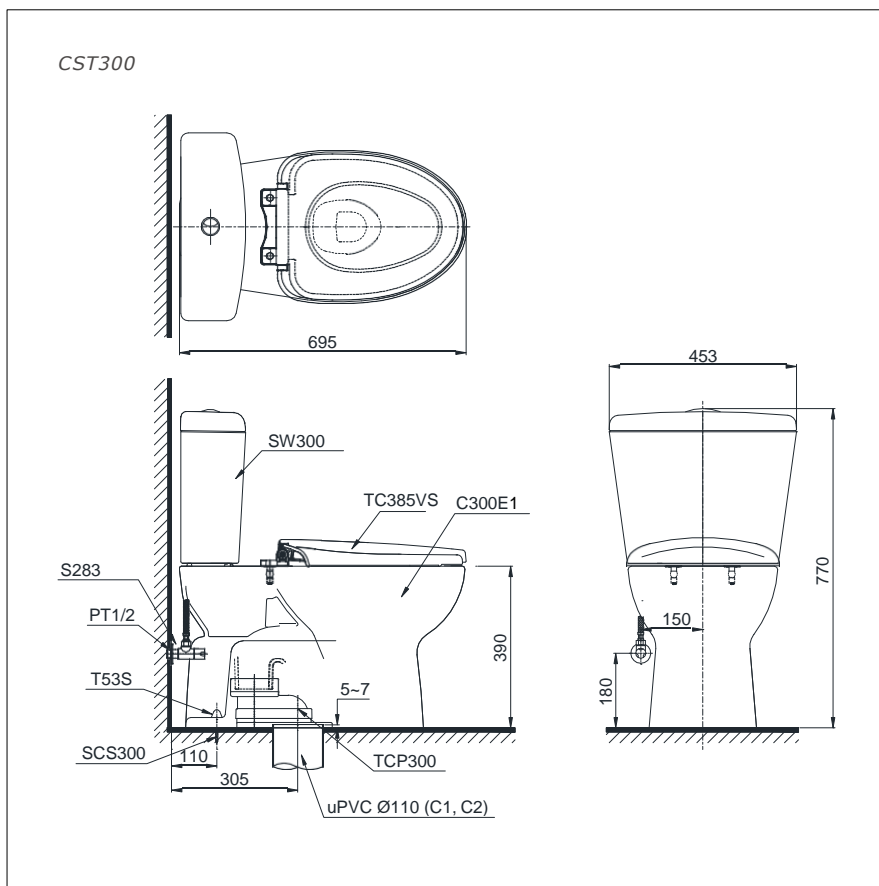
Specifications

- Flush System : Siphon, DualFlush
- Water Use : 4.8L/3.0 (L)
- Bowl Shape : Elongated
- Rough-in : 305 (mm)
- Water Pressure : 0.05~0.75 (MPa)



**Close-coupled Toilet
With Soft-closing Seat & Cover**

Drawing:



Parts description

- **CST300**
 - Toilet bowl
 - **C300E1** Toilet Body
 - **SCS300** Screw Set
 - **T53S** Caps
 - **S283** Flexible Hose
 - **TCP300** Socket
- **SW300 W/F** Toilet Tank
 - **SW300 W/F** Tank Body
- **TC385VS** Soft-closing Seat & Cover

Colors

White