



Features

- Stylish design, high profile close Coupled toilet
- TORNADO flush for powerful flushing Effect with less amount of water
- RIMLESS bowl design ensures easy cleaning and ultimate hygiene
- CEFIONTECT technology: super smooth, ion barrier glazing for a clean toilet bowl
- Dual Flush System

Specifications

Flush System	: TORNADO ,dual flush
Water Use	: 4.8/3.0 (L)
Bowl Shape	: Elongated
Rough-in	: 305 (mm)
Water Pressure	: 0.05~0.70 (MPa)
Size	: 380Wx700Dx756H (mm)

Parts description

- CST230
 - Toilet bowl
 - CS230 Toilet Body
 - HH02062S Drain socket
 - C9393 Floor Flange
 - HF9A569UK Fixing set
 - HF9A567UP Screw & Cover cap
- SW230 Toilet Tank
- TC385VS Soft-Closing Seat&Cover

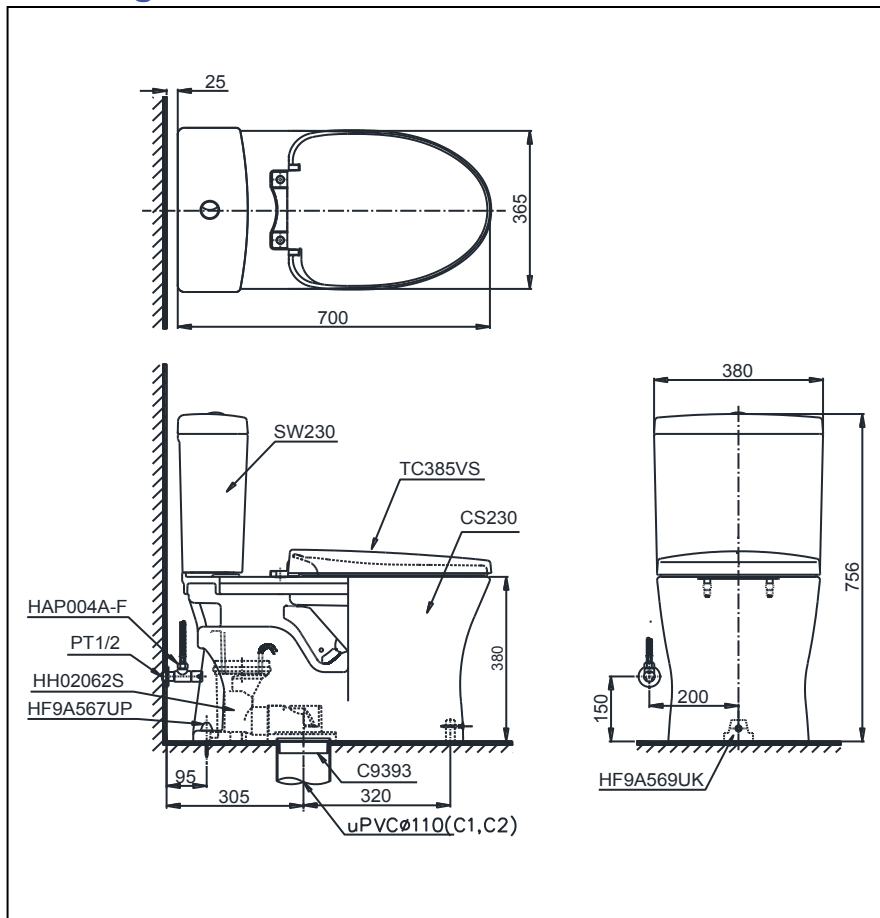
Colors

White

Please consult a TOTO representative for details



Drawing:



TOTO (THAILAND) CO.,LTD

Bangkok Office : G Tower Grand Rama 9,12th Floor, South Wing, 9 Rama IX Road,Huaykwang Sub-district,Huaykwang District, Bangkok. 10310 Thailand
Tel : +(66)2-117-9520(AUTO) Fax : +(66)2-117-9527
th.toto.com

All rights reserved by TOTO company. Specifications and size are subject to change without notice.