

Item number: **CES988VA**

NEOREST DH



Features

- Integrated appearance of luxury, stylish, elegant
- Integral Washlet features front and rear warm water washing
- Automatic operation : Lid opens, closes and toilet flushes when sensor is activated

Specifications

Flush System : Tornado

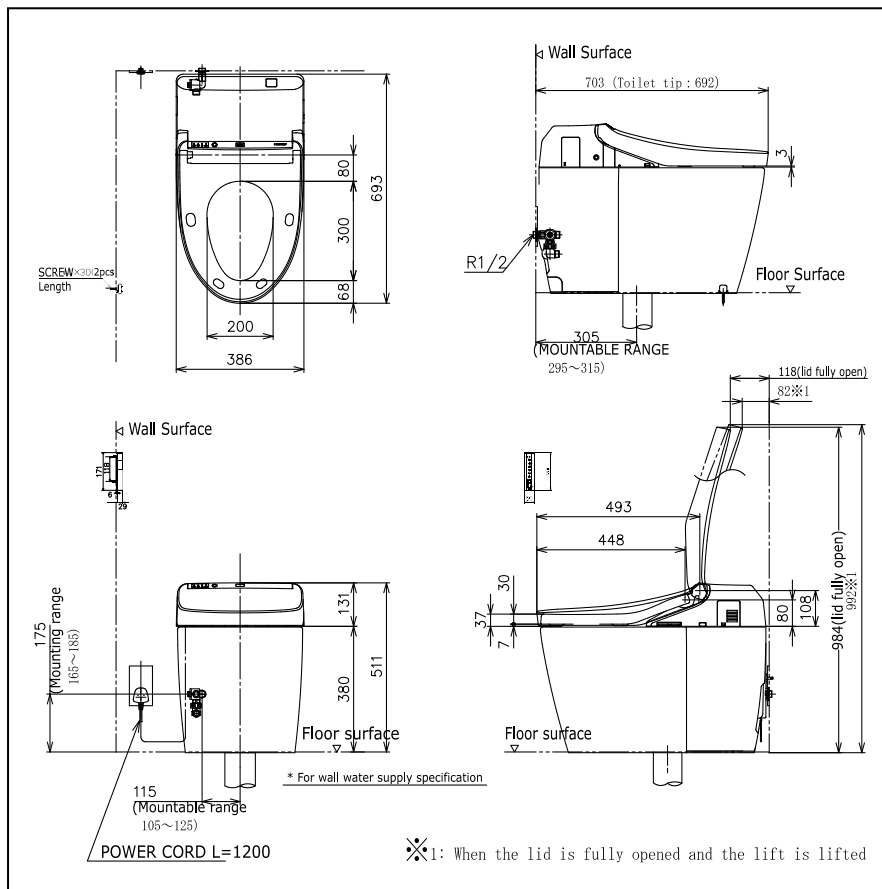
Water Use : 3.8/3.0 L

Power : AC220-240V, 50/60Hz

Size : W386 x D693 x H511 mm

Rough-In : 305 mm. (S-Trap)

Drawing:



Colors

- Body color: White