

Item number: **CES988PVA**

NEOREST DH



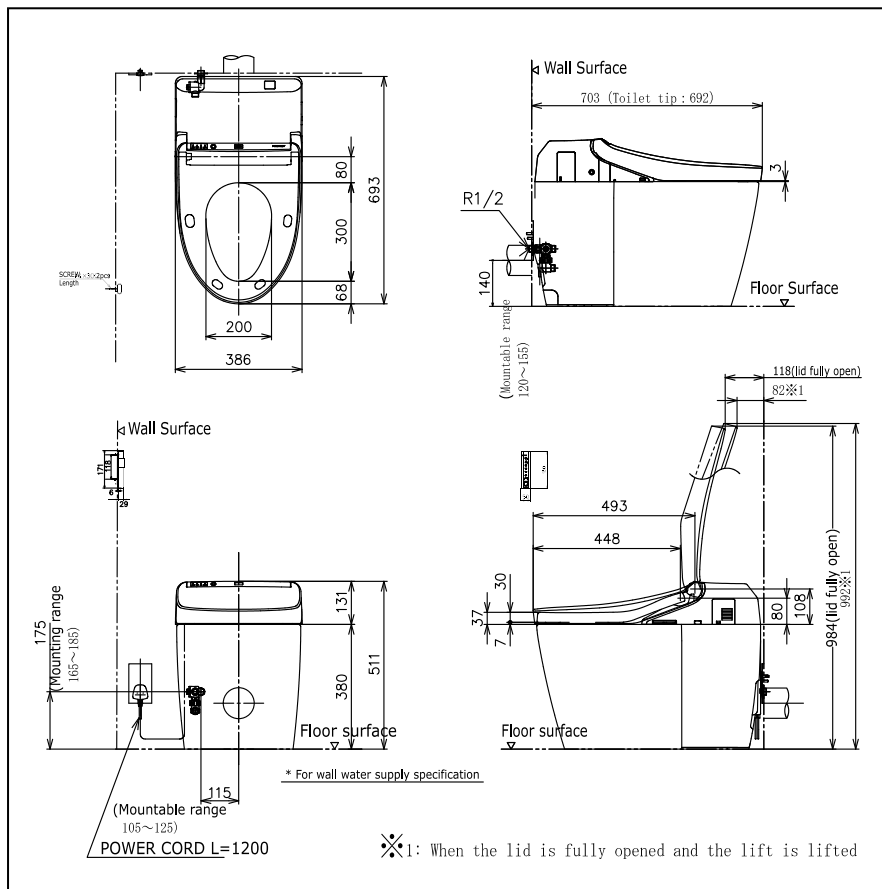
Features

- Integrated appearance of luxury, stylish, elegant
- Integral Washlet features front and rear warm water washing
- Automatic operation : Lid opens, closes and toilet flushes when sensor is activated

Specifications

Flush System : Tornado
 Water Use : 4.8/3.4 L
 Power : AC220-240V, 50/60Hz
 Size : W386 x D693 x H511 mm
 Rough-In : 140 mm. (P-Trap)

Drawing:



Colors

- Body color: White