

NEOREST NX1

CES900RVT

Features

- Integrated appearance of luxury and streamlined cleanliness to create a elegant and seamless design
- Hybrid Ecology System
 - WATER SAVING dual flush 3.8 / 3L
 - Minimum required water pressure only at 0.05MPa (Dynamic)
- HEATED SEAT with temperature control
- PREMIST water is sprayed inside the toilet bowl to make it difficult for dirt to adhere
- EWATER+ automatically spreads out and keeps clean toilet bowl and nozzle by preventing bacteria with sanitizing effect
- Auto powerful DEODORIZER activates after every usage
- Auto Soft light function usable for night time usage
- Adjustable WARM AIR DRYING
- Automatically cleans the wand jet
- AIR-IN WONDER WAVE Cleansing provides comfort and eco-friendliness



EWATER+ is made from tap water by electrolyzed chloride ion without any chemicals. After use, it returns to normal water in the state of safe and environmental friendly.

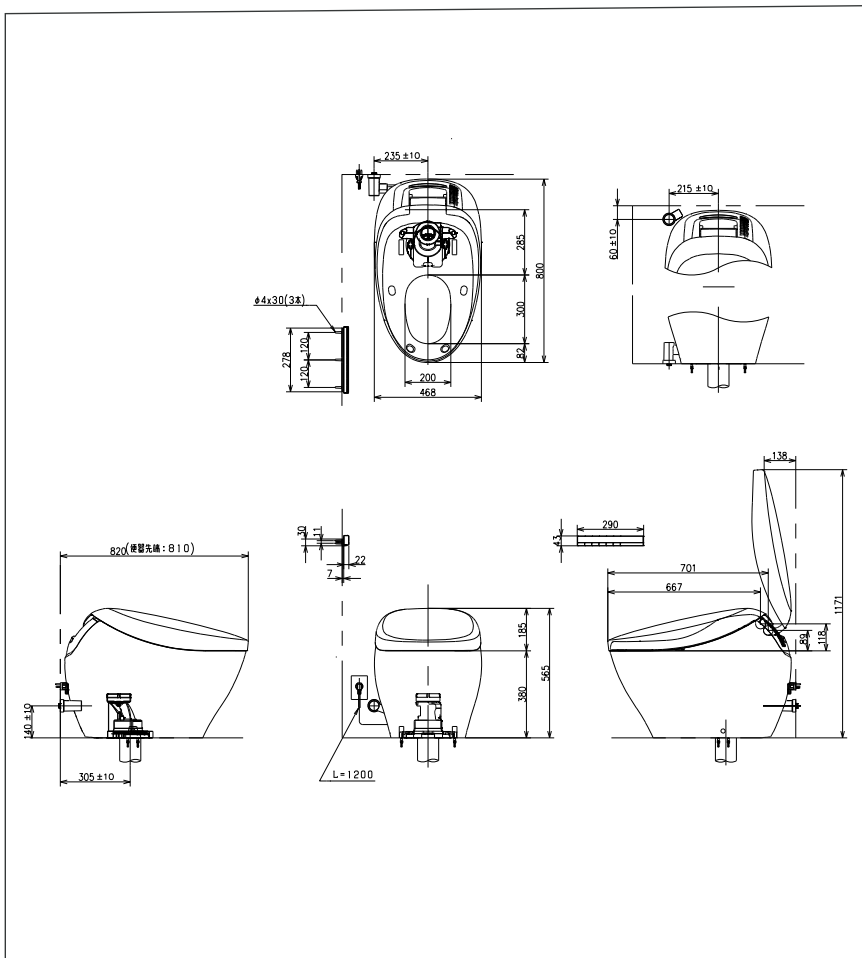
Specifications

- Flush System** : TORNADO
Water Use : 3.8L / 3L
Rough-in : 305 mm
Water Pressure : 0.05MPa~0.75MPa
Power Rating : 220~240V , 50/60Hz , 835~845W
Length of Power Cord : 1.2 m
Size : 468W x 800D x 565H

Parts description

- **CES900RVT**
Water Closet Bowl (S-Trap)
(Rough-in 305)

Please consult a TOTO representative for details



TOTO (THAILAND) CO.,LTD

Bangkok Office : G Tower Grand Rama 9,12th Floor, South Wing, 9 Rama IX Road,Huaykwang Sub-district,Huaykwang District, Bangkok. 10310 Thailand
 Tel : +(66)2-117-9520(AUTO) Fax : +(66)2-117-9527
 th.toto.com