

### Hand Rail



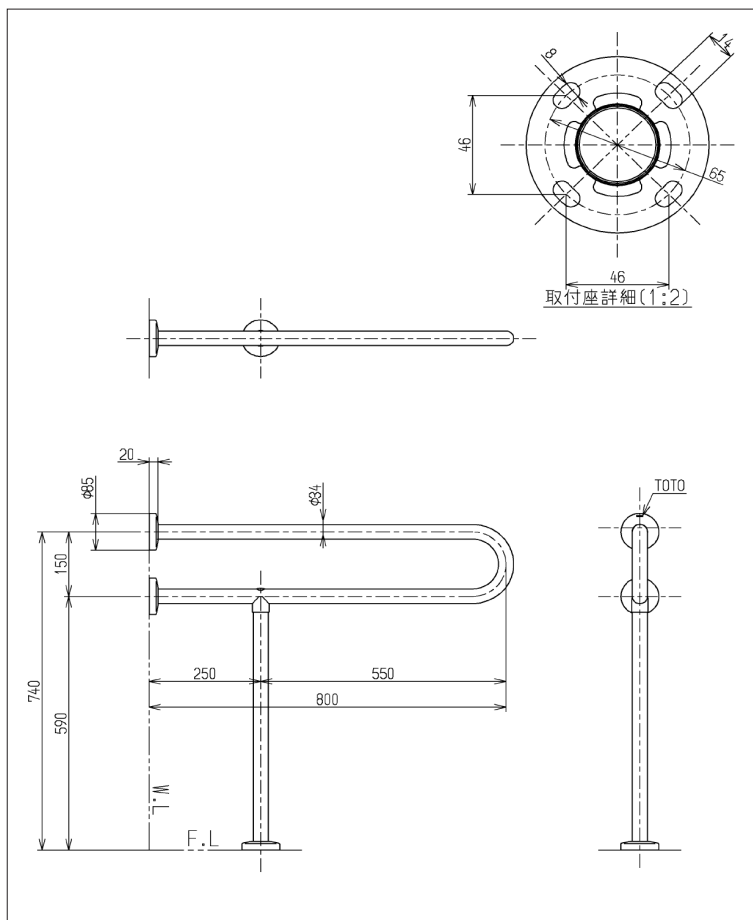
## Features

- Highly resistant to scratches and stains
- Requires less maintenance
- Ideal for use in public areas
- Essential for handicap toilet

## Specifications

Size : 800 mm (Ø 34)

Material : Stainless Steel



## Parts Description

### ● T113BP23

Handrail

Please consult a TOTO representative for details