

Hand Rail



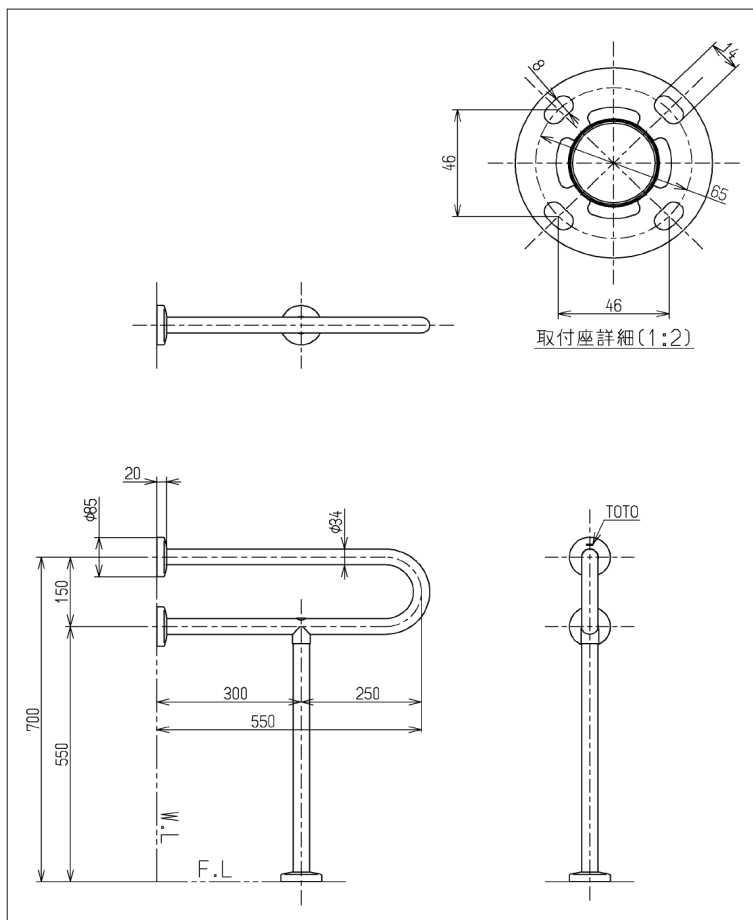
Features

- Highly resistant to scratches and stains
- Requires less maintenance
- Ideal for use in public areas
- Essential for handicap toilet

Specifications

Size : 550 mm (Ø 34)

Material : Stainless Steel



Parts Description

- T113BP21
Handrail

Please consult a TOTO representative for details